



# AVH516A

RS485 Communication

Multicast

Push Status

16CH 2MP Real-Time Video Recording

## 16CH 2MP NVR

## Features

### Push Status - Active Event Notification with EagleEyes App

- Sends instant notifications for system events, such as video loss or HDD data removal



### HD Video Recording

- HD real-time recording brings users clear images while video recording and playback
- 1920\*1080 Full HD video output service, giving the best image quality on LCD / LED monitors

### Multi-platform Remote Access

- Fully compatible with iOS and Android mobile devices, and Internet Explorer on Windows operating system
- Free PC program, CMS Lite, for 24CH devices monitoring on Windows operating system

### Powerful Storage Capacity

Support up to 3 hard disks for long-term recording and saving large amount of recording data

### Multicast

Multicast supported to enhance the transmission efficiency among all NVRs and the CMS, helping users located in different secondary control rooms to quickly get what they want to see without video lag.



### ONVIF-Compliant

In addition to AVTECH IP cameras, this NVR is also connectable to the third-party IP cameras which adopt ONVIF protocol.

### External Disk Array Support for More Video Storage

eSATA interface built-in to connect a disk array (RAID 0/1/5/6/0+1/1+0) for more video storage

### RS485 Communication

Capable of external device connection to extend the functionality and flexibility of your NVR

### Smart Recording

High video resolution switch for events to optimize the recording efficiency of the hard disk



## Specifications\*

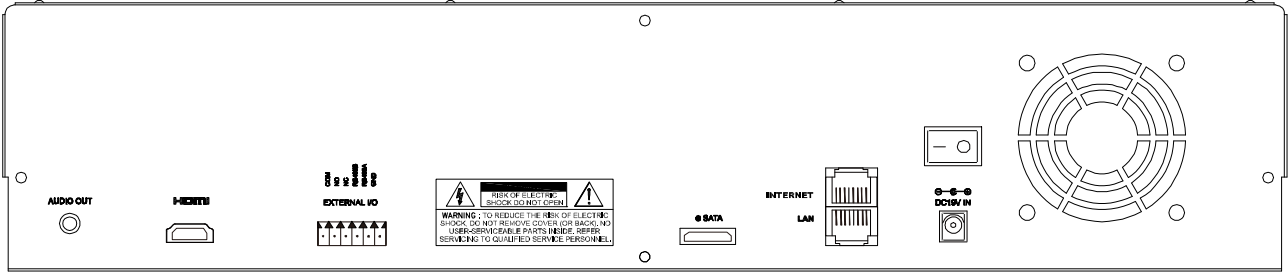
Hardware		
Video Input	One LAN port (up to 16 IP cameras)	
Video Output	HDMI	
Video Output Resolution	1920 x 1080	
Audio Output	YES	
HDD Storage**	Three 6TB hard disks	
eSATA Port	YES	
RS-485 Port	YES	
USB Ports	Two USB 2.0 ports	
IR Remote Control	YES	
Ethernet	LAN port	1000Mbps
	Internet port	1000Mbps
Software		
Video Compression Format	H.264	
Audio Compression Format	G711	
Local / Remote Display Mode	16CH	
Local / Remote Playback Mode	16CH	
Local Single Channel Playback	YES	
Recording Mode	Manual / Event / Alarm / Schedule	
Recording Throughput	Up to 480 IPS @ 1920 x 1080, Up to 120Mbps	
Pre-alarm Recording	YES	
Quick Search	Time / Event	
Event Notification	Push Status / Video Mail / Message Mail	
Security	Multiple user access levels with password	
Remote Access	(1) Internet Explorer on Windows operating system (2) CMS Lite, 24CH CMS software for Windows operating system (3) EagleEyes on iOS & Android mobile devices	
Max. Online User	18	
Multicast	YES	
General		
Power Source ( $\pm 10\%$ )	DC19V / 3.42A	
Power Consumption ( $\pm 10\%$ )	17.5W (without a hard disk connected)	
Operating Temperature	10°C ~ 40°C (50°F ~ 104°F)	
Dimensions (mm)**	432(W) × 90(H) × 326(D)	
Net Weight	4 Kg	
Minimum PC Browsing Requirements	<ul style="list-style-type: none"><li>• Intel core i3 or higher, or equivalent AMD</li><li>• 2GB RAM</li><li>• AGP graphics card, Direct Draw, 32MB RAM</li><li>• Windows 10, Windows 8, Windows 7, Windows Vista &amp; Windows XP, DirectX 9.0 or later</li><li>• Internet Explorer 7.x or later (Windows Edge not supported)</li></ul>	
Optional Peripherals	Full HD Matrix (HDM02) / Rack Mount (PP-AVC787-00K)	

\*The specifications are subject to change without notice

\*\* HDDs are optional.

\*\*\* Dimensional tolerance:  $\pm 5\text{mm}$

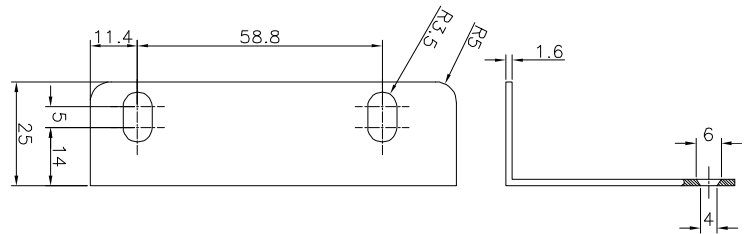
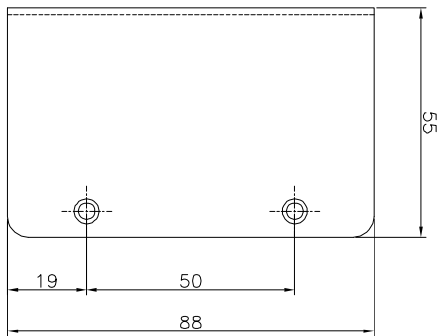
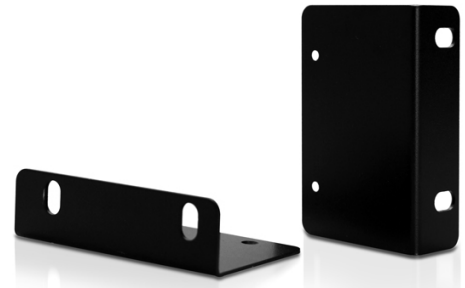
## Rear Panel



## Optional Bracket

### ■ PP-AVC787-00K

Used to mount to a rack.



Dimensional tolerance:  $\pm 5\text{mm}$