



For Security Zoom

Applicable camera (model)

D60×12.5BE-V41

1	2/3	1/2	1/3	1/4
---	-----	-----	-----	-----

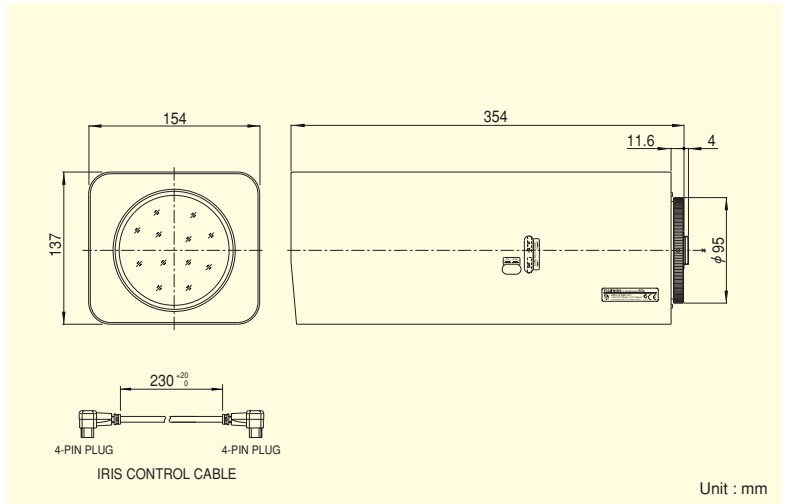
60x



*Photograph is a similar model.

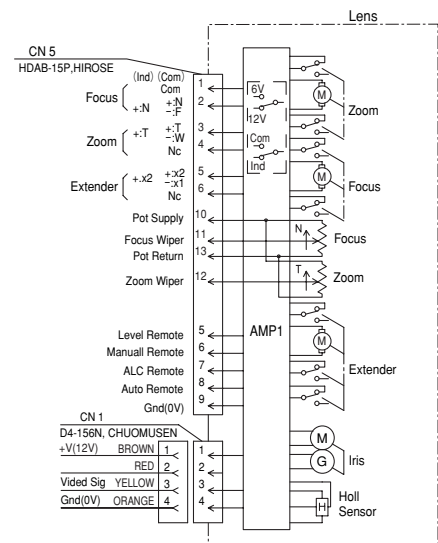
- Offering F3.8 brightness and 60x zoom (focal length of 1500mm when used with an extender), these lenses are suited for long-range surveillance, such as for seaport security.
- The compact and lightweight design allows establishment of compact remote surveillance systems.
- Equipped with a 2x extender that provides clear identification of individuals at a distance of 3km.
- Multi-power compatibility for connection to existing surveillance systems for zoom operation.
- Iris Override function allows manual iris adjustment.

ZOOM Zoom	WIDE Wide Angle	TELE Telephoto Long Focal	MOTOR DRIVE Motor Drive	VIDEO Video Auto Iris	REMOTE Remote Iris	C-mt C Mount
METAL Metal Mount	ND ND Filter	2x Extender	F3.8 Wide Aperture Rate			

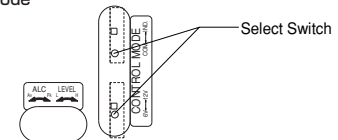


		1x	2x	
Focal Length (mm)		12.5~750 (60x)	25~1500 (60x)	
Iris Range		F3.8~T3000 (Equivalent to F3000)	F7.6~T6000 (Equivalent to F6000)	
Operation	Zoom	Motor Drive		
	Focus	Motor Drive		
		Iris Auto (Video Type) or Manual Remote		
Angle Of View (H×V)	1/2"	WIDE	28°43' × 21°44'	14°35' × 10°58'
		TELE	0°29' × 0°22'	0°15' × 0°11'
	1/3"	WIDE	21°44' × 16°23'	10°58' × 8°14'
		TELE	0°22' × 0°17'	0°11' × 0°08'
	1/4"	WIDE	16°23' × 12°20'	8°14' × 6°11'
		TELE	0°17' × 0°08'	0°08' × 0°06'
Focusing Range (From Front Of The Lens) (m)		∞ ~ 5	∞ ~ 5	
Object Dimensions at M.O.D. (H×V) (mm)	1/2"	WIDE	2465 × 1849	1233 × 924
		TELE	41 × 35	21 × 55
	1/3"	WIDE	1849 × 1837	925 × 693
		TELE	31 × 23	16 × 12
	1/4"	WIDE	1387 × 1040	693 × 520
		TELE	23 × 17	12 × 9
Back Focal Distance (in air) (mm)		53.23	53.23	
Exit Pupil Position (From Image Plane) (mm)		-64	-64	
Filter Thread (mm)		M107×1		
Mount		C		
Extender		2x		
Mass (kg)		5.1		
Standard Accessories		Iris Control Cable Connection Connector		
Remarks	• With Metal Mount			

Wiring



Control Mode



Factory Setting : 12V / IND.

Controller output	Select switch position
6V	6V / IND.
±6V	6V / COM.
12V	12V / IND.
±12V	12V / COM.

ZOOM LENSES