

# HD Vari-Focal (8-80mm)

## DV10x8SR4A-SA1

10x Applicable camera (model) 1 2/3 1/2 1/3 1/4 For Security



\* Photograph is a similar model.

**HD**  
**3MP**

**Day**  
**Night**

VARI

TELE

DC

C-mt

METAL

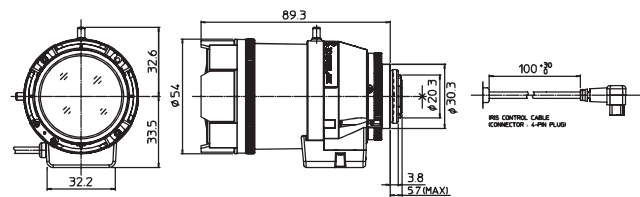
ND

230

AT

F1.6

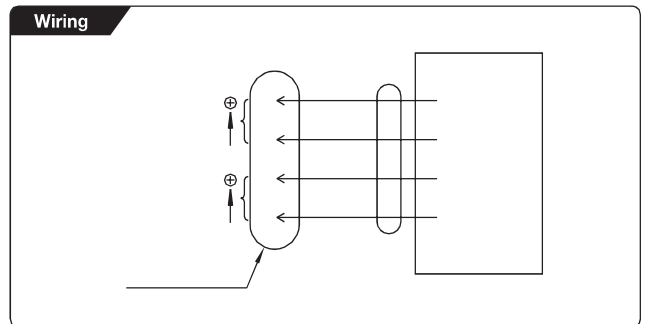
RoHS



Unit : mm

### DV10x8SR4A-SA1

Focal Length (mm)		8 - 80 (10x)	
Iris Range		F1.6 - T360(Equivalent to F360)	
Operation	Zoom	Manual	
	Focus	Manual	
	Iris	Auto (DC type)*1	
Angle Of View (HxV)	1/2"	WIDE	44°33' × 34°58'
		TELE	4°42' × 3°32'
	1/3"	WIDE	34°58' × 26°35'
		TELE	3°32' × 2°39'
	1/4"	WIDE	22°40' × 17°06'
		TELE	2°22' × 1°47'
Angle Of View (HxV) Aspect Ratio 16 : 9	1/2"	WIDE	49°39' × 29°10'
		TELE	5°07' × 2°53'
	1/3"	WIDE	38°16' × 22°05'
		TELE	3°50' × 2°09'
	1/4"	WIDE	24°42' × 14°03'
		TELE	2°35' × 1°27'
Focusing Range (From Front Of The Lens) (m)		∞ - 1.5	
Object Dimensions at M.O.D. (HxV) (mm)	1/2"	WIDE	1285 × 964
		TELE	141 × 105
	1/3"	WIDE	964 × 723
		TELE	105 × 76
	1/4"	WIDE	613 × 460
		TELE	71 × 53
Object Dimensions at M.O.D.(HxV) (mm) Aspect Ratio 16 : 9	1/2"	WIDE	1417 × 797
		TELE	153 × 86
	1/3"	WIDE	1063 × 598
		TELE	115 × 65
	1/4"	WIDE	670 × 377
		TELE	77 × 43
Back Focal Distance (in air) (mm)		18.19	
Exit Pupil Position (From Image Plane) (mm)		1705	
Filter Thread (mm)		-	
Mount		C	
Mass (g)		180	
Coil Resistance		Drive Coil 190Ω Damping Coil 1,150Ω	
Current Consumption		23mA(Max.) at DC 4V	
Remarks	<ul style="list-style-type: none"> <li>•With Metal Mount</li> <li>(*1)When power is turned off, iris will automatically close.</li> <li>DV10x8SR4A-SA1L : Long Cable Type(230mm)</li> </ul>		



### [Lens Image]

