

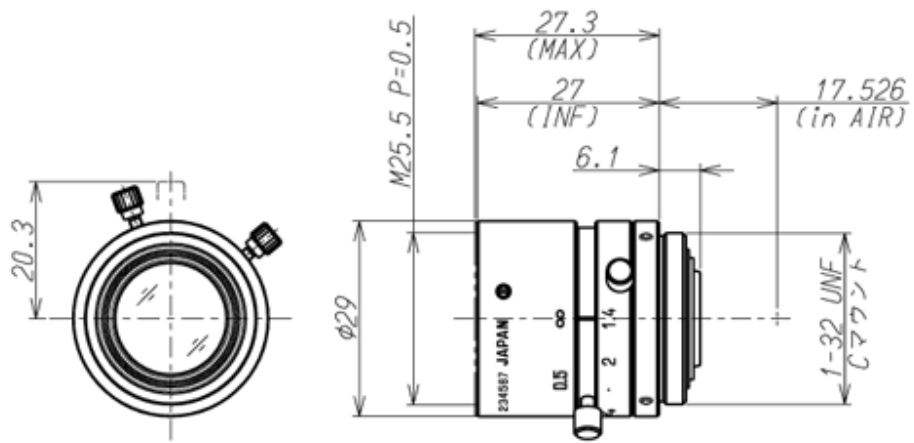
TAMRON Megapixel Machine Vision Lens

| | | |
|---|--------|-----------------|
| P/N | | M118FM08 |
| CCD size | | 1/1.8" |
| Mount | | C mount |
| Focal length | | 8mm |
| Aperture range | | 1.4 - 16 |
| Angle of View (horizontal x vertical) | 1/1.8" | 50.8° x 38.6° |
| | 1/2" | 45.0° x 34.0° |
| | 1/3" | 34.0° x 25.6° |
| Focusing range | | 0.1m-infinity |
| Operation | Focus | Manual w/lock |
| | Iris | Manual w/lock |
| Filter size | | M25.5 P=0.5mm |
| Back focus (in air) | | 11.726mm |
| Distortion | | Less than -2.0% |
| Weight | | 44g |
| Operating Temperature | | -10 + 60°C |

< Features >

- Lenses for Megapixel cameras
- Higher Close Up Capability, Ultra low Minimum Object distance !!
- Compact Design !!

For High Quality Machine Vision



M118FM08