

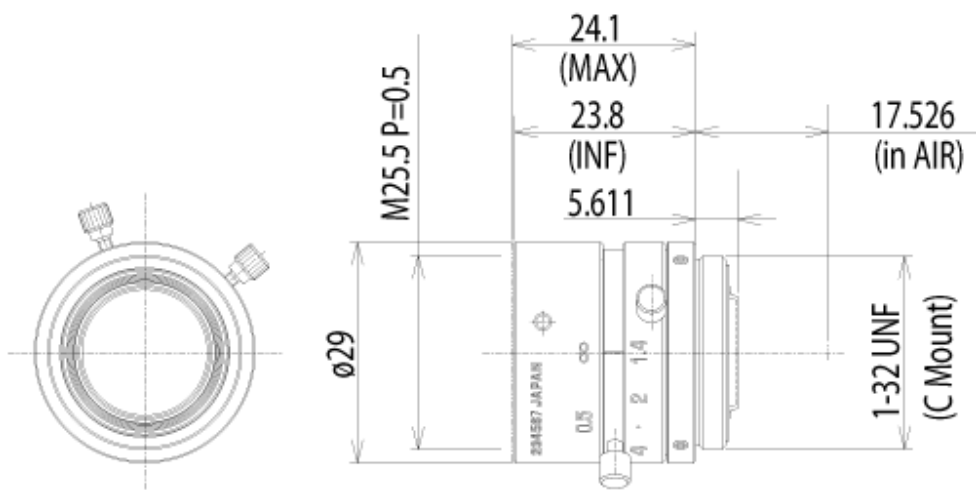
TAMRON Megapixel Machine Vision Lens

P/N		M118FM16
CCD size		1/1.8"
Mount		C mount
Focal length		16mm
Aperture range		1.4 - 16
Angle of View (horizontal x vertical)	1/1.8"	25.9° x 19.5°
	1/2"	22.8° x 17.1°
	1/3"	17.1° x 12.9°
Focusing range		0.1m-infinity
Operation	Focus	Manual w/lock
	Iris	Manual w/lock
Filter size		M25.5 P=0.5mm
Back focus (in air)		12.17mm
Distortion		Less than -0.7%
Weight		39g
Operating Temperature		-10 + 60°C

< Features >

- Lenses for Megapixel cameras
- Higher Close Up Capability, Ultra low Minimum Object distance !!
- Compact Design !!

For High Quality Machine Vision



M118FM16