

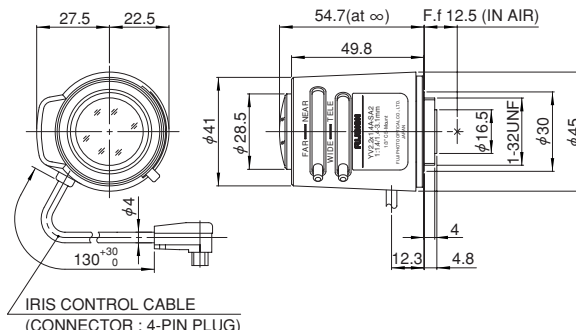
For Security

1/3" VARI-FOCAL

Vari-Focal
Auto Iris
DC Type

FUJINON CCTV LENS

YV2.2×1.4A-SA2



Unit : mm

Model		YV2.2 × 1.4A-SA2	
Focal Length		1.4mm ~ 3.1mm (2.2×)	
Iris Range		F1.4 ~ T360 (Equivalent to F360)	
Operation	Iris	Auto (DC Type) (*1)	
	Focus	Manual	
	Zoom	Manual	
Angle Of View (H × V)	1/3"	Wide	185°0' (φ 3.45)
		Tele	94°47' × 69°26'
	1/4"	Wide	121° (φ 2.7)
		Tele	69°26' × 51°30'
Focusing Range (From Front Of The Lens)		∞ ~ 0.2m	
Object Dimensions at M.O.D. (H × V)	1/3"	Wide	—
		Tele	448mm × 287mm
	1/4"	Wide	—
		Tele	287mm × 200mm
Back Focal Distance (in air)		7.82mm	
Exit Pupil Position (From Image Plane)		-45mm	
Filter Thread		—	
Mount		CS Mount	
Mass		80g	
Coil Resistance		Drive Coil	200Ω
		Damping Coil	600Ω
Current Consumption		22mA (Max.) at 4V DC	
Remarks		(*1) When power is turned off, iris will automatically be closed. <Available> Long Cable Type (ℓ =230mm) YV2.2 × 1.4A-SA2L	

