

DS-3WF5000S-SI-5ACG/2P
5GHz 867Mbps 5KM Wireless Bridge



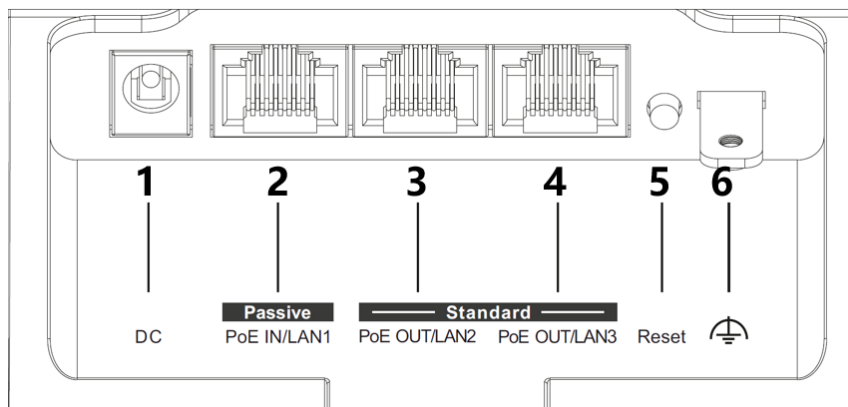
- Up to 5 km wireless transmission distance
- 867 Mbps 802.11ac wireless bridge
- Built-in 16 dBi 2 x 2 MIMO antenna
- Visualized topology management
- Standard PoE Output
- Easy adjustment with universal joint bracket

▪ Specification

General	
Product Dimensions (W × H × D)	134.21 mm × 235.00 mm × 58.73 mm (5.28" × 9.25" × 2.31")
Package Dimensions (W × H × D)	226 mm × 333 mm × 100 mm (8.90" × 13.11" × 3.94")
Net Weight	0.54 kg (1.19 lb) per device
Gross Weight	1.48 kg (3.26 lb)
Packing List	Wireless Bridge x 1, PoE Adapter(48.0V, 1.0A) x 1, Power Cord x 1, Universal Joint Nut x 1, Universal Joint x 1, Mounting Bracket x 1, Screw Pack x 1, Hose Clamp x 1, Quick Start Guide x 1, Regulatory Compliance and Safety Information x 1
Packing Method	Single unit packing
Working Temperature	-30 °C to 65 °C (-22 °F to 149 °F)
Working Humidity	5% to 95% (no condensation)
Storage Temperature	-40 °C to 80 °C (-40 °F to 176 °F)
Storage Humidity	5% to 95% (no condensation)
Installation Mode	Pole Mounting, Wall Mounting
Ingress Protection	IP55
Power Consumption	3.5 W for typical (1-ch 2MP IPC), Max. 7.7 W
Wireless Parameter	
Wireless Standard	IEEE 802.11/a/n/ac
Max. Transmission Rate of Air Interface	≤ 867 Mbps
Working Frequency Band	5150 MHz ~ 5250 MHz, 5250 MHz ~ 5350 MHz, 5470 MHz ~ 5725 MHz, 5725 MHz ~ 5825 MHz
Antenna Gain	16 dBi
Antenna Angle	(H) Beamwidth [3 dB] 32°, (V) Beamwidth [3 dB] 17°
Transmitting Power	29 dBm @11ac 80MHz MCS0 (Note: Transmitting power may vary with local regulations.)
Receiving Sensitivity	-88 ±2dBm@AC80-MCS0
Throughput Rate	PTP:290 Mbps/1 KM(AC80), 270 Mbps/3 KM(AC80), 250 Mbps/5 KM(AC80); PTMP(1 to 8): 150 Mbps/5KM(AC80)
PoE Power Supply	
PoE Port	LAN1 passive PoE IN, LAN2 802.3 af PoE OUT, LAN3 802.3 af PoE OUT
Max. Port Power	28 W
PoE Power Budget	40 W
PoE Distance	100 m
Hardware Parameter	
Network Interface	3 × 100/1000 Mbps RJ45 ports
LED Indicator	Power indicator, LAN indicator, Signal intensity indicator
Reset	Hardware resetting button
Power Supply	48V PoE/12~24V DC; Check the physical interface image below for more details.
Software Function	
Application Function	IFM, IPM, DFS, TPC
Channel Width	20/40/80 MHz
Channel Selection	Auto/manual selection
Security Mode	WPA2-PSK
Security Mechanism	Wireless network name hidden

Network Protocol	NTP (network time synchronization),SADP (auto search for IP address), HTTPS/HTTP (web management),SSH (debugging)
Management Method	HCP,Web,iVMS-4200,HPP
System Log	Syslog,Control center information
Upgrade	Web,iVMS-4200,HCP,HPP
HPP	Support one-click activation and remote management via Hik-Partner Pro. Functions supported: <ol style="list-style-type: none"> 1. Reboot device 2. Restore device 3. Display the topology information 4. Display the connection status between AP and CPEs, including signal intensity, background noise, sending & receiving rate. 5. Configure wireless settings, including working mode, SSID, password, channel, channel bandwidth, transmitting power 6. Bridge alignment 7. Spectrum scanning 8. PoE output management
Approval	
EMC	CE-EMC(EN 55032, EN 61000-3-3, EN IEC 61000-3-2, EN 50130-4, EN 55035)
Safety	CB (IEC 62368-1),CE-LVD (EN 62368-1)
Chemistry	CE-RoHS (2011/65/EU),WEEE (2012/19/EU),Reach (Regulation (EC) No.1907/2006)
Radio	EN 301 893,EN 300 440,EN 301 489-3,EN 301 489-17,EN 301 489-1, EN 61000-3-3, EN IEC 61000-3-2, EN IEC 62311

▪ Physical Interface



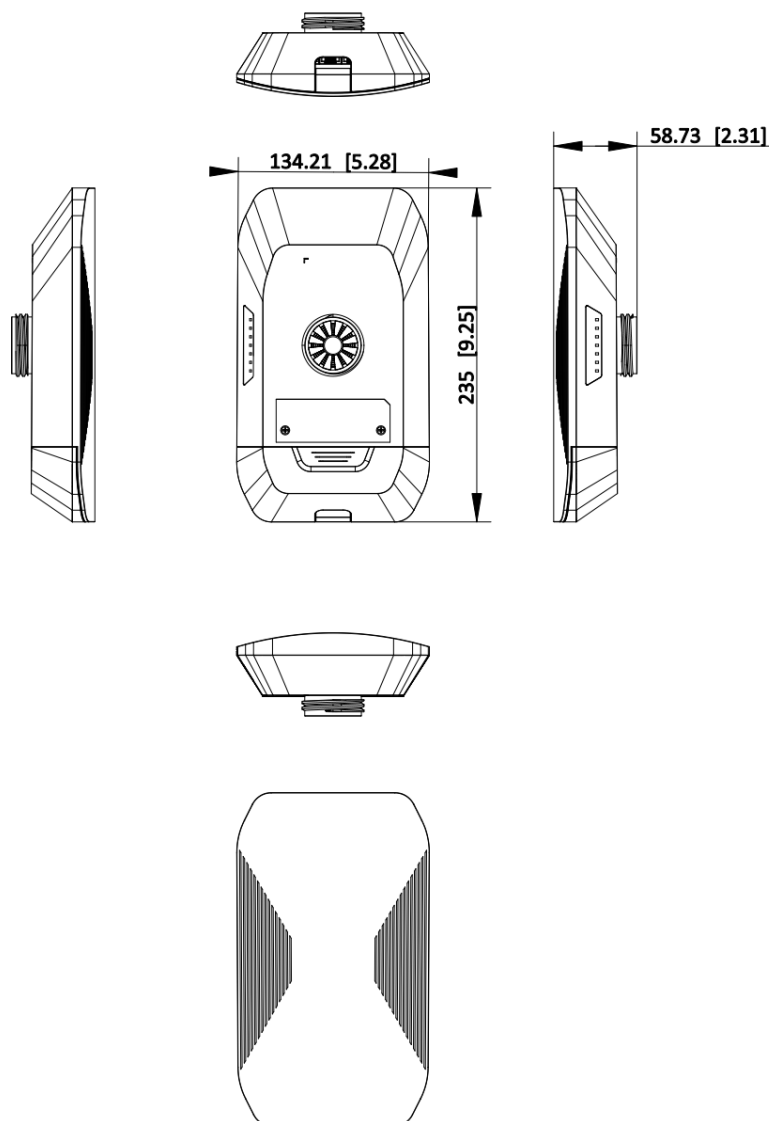
No.	Interface/Button	Description
1	DC	Support DC 12~24V power supply.PoE OUT is not available when the device is powered by DC port.
2	Passive PoE IN/LAN 1	The 10/100/1000 Mbps adaptive RJ45 port, also can be used as a passive PoE input port.
3	Standard PoE OUT/LAN 2	The 10/100/1000 Mbps adaptive RJ45 port, also can be used as a standard PoE output port.
4	Standard PoE OUT/LAN 3	The 10/100/1000 Mbps adaptive RJ45

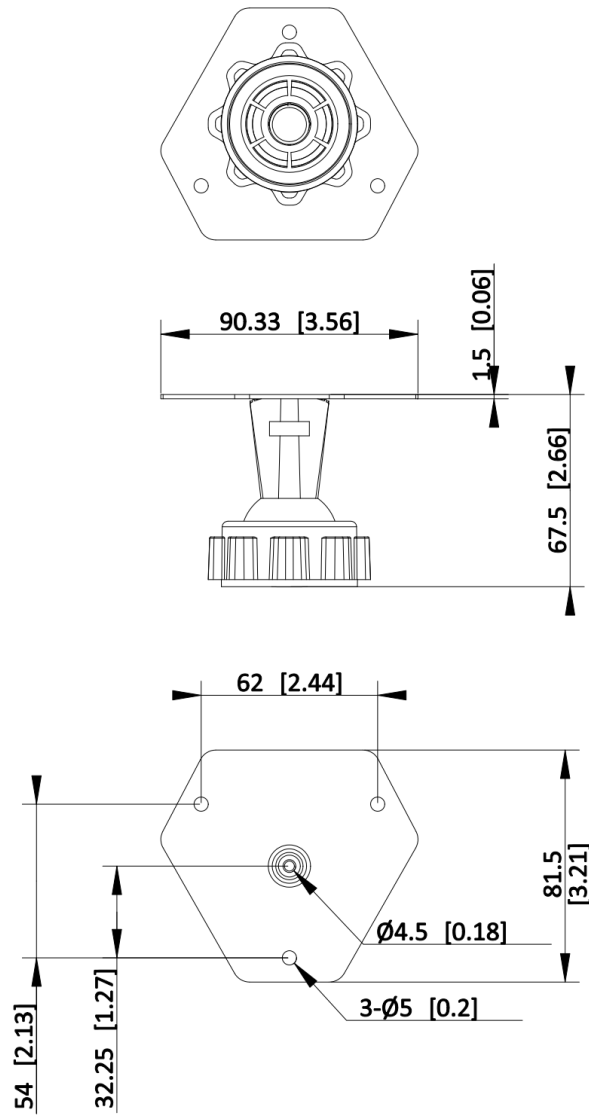
		port, also can be used as a standard PoE output port.
5	Reset	Long press for 4 seconds to restore to factory settings.
6	Grounding terminal	Connect ground wire to discharge static electricity and protect equipment from lightning or current fluctuations.

▪ **Available Model**

DS-3WF5000S-SI-5ACG/2P

▪ **Dimension**





See Far, Go Further



www.hikvision.com
support@hikvision.com

