

DS-2CD63C2F-I(V)(S) 12MP Fisheye Network Camera



DS-2CD63C2F-I(V)(S) is designed to single-handedly capture images from every corner of a particular location and eliminate blind spots. It features a progressive scan CMOS sensor to provide high-resolution images of up to 4000 × 3072, and a fisheye lens for a 360° panoramic or multiple de-warped views. Furthermore, IR functionality provides up to 15m IR distance of visibility under low or even zero-light conditions.

It is a great choice for detailed coverage of wide, open areas like airports, shopping malls, parking lots, retail stores, offices, restaurants, classrooms, and more.

Multiple Display Modes

The 12MP IR Fisheye Network Camera supports several viewing modes, including the 360° view, a horizontal panoramic view, PTZ quad view modes. Customers can also utilize this smooth PTZ function to easily pan, tilt and zoom, on any region of interest (ROI).

- 1/1.7" Progressive Scan CMOS
- 12 megapixel image sensor
- Up to 4000 × 3072 resolution
- Multiple viewing modes
- Line crossing and intrusion detection
- Ceiling, wall or table mount modes
- Up to 15m IR range
- 360° view angle
- Built-in microphone & speaker
- Audio/Alarm IO/ RS485(-S model)
- IP66(-V model)
- IK10 vandal proof(-V model)



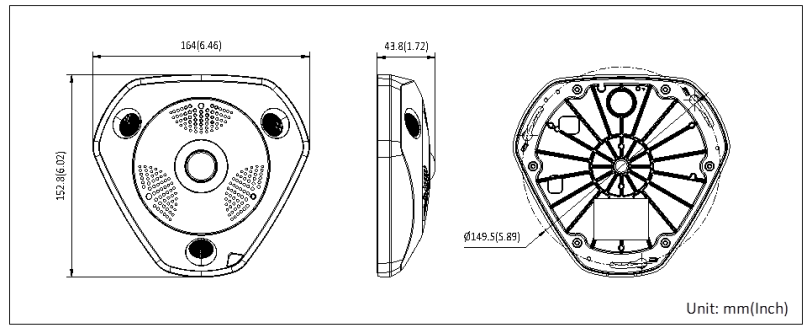
DS-2CD63C2F-I(V)(S) 12MP Fisheye Network Camera



Specification

Camera		
Image Sensor	1/1.7" Progressive Scan CMOS	
Min. Illumination	0.01 Lux @ (F1.2, AGC ON), 0.04 Lux @ (F2.4, AGC ON), 0 Lux with IR	
Shutter Speed	1/25(1/30)s ~ 1/100,000s	
Lens	1.98mm @F2.4, angle of view: 360°	
Lens Mount	M12	
Day & Night	ICR	
Compression Standard		
Video Compression	H.264 /MJPEG	
H.264 Type	Baseline Profile / Main Profile / High Profile	
Video Bit Rate	32 Kbps – 16 Mbps	
Audio Compression(-S)	G.711/G.726/MP2L2/	
Audio Bit Rate	64Kbps(G.711) / 16Kbps(G.726) /64Kbps(MP2L2)	
Image		
Max. Resolution	4000 × 3072	
Live Mode	Mode1	1×Fisheye or 4×PTZ
	Mode2	1×Fisheye(main stream) + 1×Fisheye(sub stream) + 3×PTZ
	Mode3	1×Panorama(main stream) + 1×Panorama(sub stream)
Frame Rate	Mode1	50Hz: 1×fisheye (4000×3072, 20fps; 3072×3072,2560×2560 , 25fps) or 4×PTZ (1600×1200, 12fps) 60Hz: 1×fisheye (4000×3072, 20fps; 3072×3072,2560×2560 , 24fps) or 4×PTZ (1600×1200, 15fps)
	Mode2	50Hz: 1×Fisheye(2048×2048, 1280×1280, 12fps) + 1×Fisheye(720×720, 12fps) +3×PTZ(1600×1200, 12fps) 60Hz: 1×Fisheye(1280×1280, 15fps) + 1×Fisheye(720×720, 15fps) +3×PTZ(1600×1200, 15fps)
	Mode3	50Hz:1×Panorama(3072×2304, 3072×1152, 12fps) + 1×Panorama(704×576, 12fps) 60Hz:1×Panorama(3072×2304, 3072×1152, 15fps) + 1×Panorama(704×576, 15fps)
Digital Noise Reduction	3D DNR	
Image Setting	Saturation, Brightness, Contrast, Hue, Sharpness, AGC, White Balance	
Wide Dynamic Range	Digital WDR	
Day/Night Switch	Auto/Schedule/Alarm Trigger	
ROI	Up to 4 fixed areas in each stream	
Network		
Network Storage	NAS (Support NFS,SMB/CIFS)	
Alarm Trigger	Line crossing detection, Intrusion detection, Motion detection, Dynamic analysis, Tampering alarm, Network disconnect, IP address conflict, Storage exception	
Protocols	TCP/IP, UDP, ICMP, HTTP, HTTPS, FTP, DHCP, DNS, DDNS, RTP, RTSP, RTCP, PPPoE, NTP, UPnP, SMTP, SNMP, IGMP, 802.1X, QoS, IPv6, Bonjour	
Security	User Authentication, Watermark, IP address filtering, Anonymous access	
Standard	ONVIF(PROFILE S,PROFILE G),PSIA,CGI,ISAPI	
Interface		

Dimensions



Communication Interface	1 RJ45 10M/100M/1000M Ethernet interface; 1 RS485 interface(-S)
Audio Input	1 3.5mm audio interface, Mic in/Line in (-S); 1 built-in microphone by default, 24db
Audio Output	1 3.5mm audio output interface (-S); 1 built-in speaker by default, support echo cancellation
Alarm Input(-S)	1
Alarm Output(-S)	1
On-board storage	Built-in Micro SD/SDHC/SDXC slot, up to 128 GB
General	
Operating Conditions	Indoor: -10 °C – 50 °C (14 °F – 122 °F) -V: -30 °C – 60 °C (-22 °F – 140 °F) Humidity 95% or less (non-condensing)
Power Supply	12 VDC \pm 10% / PoE (802.3af)
Power Consumption	Max. 12W
IR Range	15 meters
Impact Protection	-V: IEC60068-2-75Eh, 20J; EN50102, up to IK10
Ingress Protection level	-V: IP66
Dimensions	164x152.8x43.8mm(6.46"x6.02"x1.72")
Weight	1400g
Order Models	DS-2CD63C2F-I, DS-2CD63C2F-IV, DS-2CD63C2F-IS, DS-2CD63C2F-IVS

Accessories



DS-1280ZJ-DM25
Junction box



DS-1281ZJ-DM25
Inclined ceiling mount



DS-1273ZJ-DM25
Wall mount



DS-1271ZJ-DM25
Pendant mount



DS-1283ZJ
Three axis adjustment