

# DS-2AE5037(N)/23(N)-A

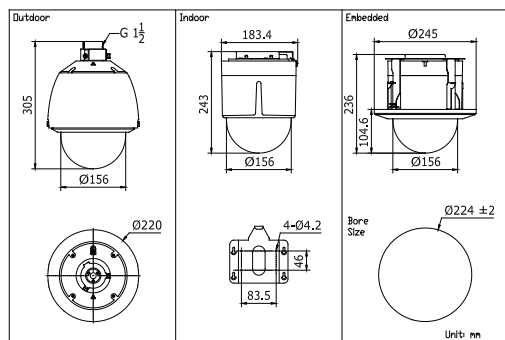
## 700TVL Analog PTZ Dome Camera



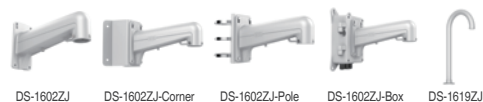
### Key features

- 1/3" Sony CCD
- 700TVL horizontal resolution
- 37X / 23X optical zoom, 16X digital zoom
- True Day/Night, Digital WDR
- 3D intelligent positioning
- Support UTC(Up The Coax) function

### Dimensions



### Accessories



### Available models

DS-2AE5037-A: PAL, 24VAC, outdoor  
 DS-2AE5037N-A: NTSC, 24VAC, outdoor  
 DS-2AE5037-A3: PAL, 24VAC, indoor  
 DS-2AE5037N-A3: NTSC, 24VAC, indoor

DS-2AE5023-A: PAL, 24VAC, outdoor  
 DS-2AE5023N-A: NTSC, 24VAC, outdoor  
 DS-2AE5023-A3: PAL, 24VAC, indoor  
 DS-2AE5023N-A3: NTSC, 24VAC, indoor

	DS-2AE5023(N)-A(3)	DS-2AE5037(N)-A(3)
<b>Camera</b>		
Image Sensor	1/3" Sony CCD	
Effective Pixel	PAL: 976(H)×582(V), NTSC: 976(H)×494(V)	
Horizontal Resolution	Color: 700 TVL, B/W: 750 TVL	
Min.Illumination	Color: 0.02Lux/(F1.6, AGC ON), B/W: 0.002Lux/(F1.6, AGC ON)	
White Balance	Auto / Manual / ATW / Indoor / Outdoor	
AGC	Auto / Manual	
S / N Ratio	≥ 50dB	
Shutter Speed	PAL: 1 ~ 1/10,000s, NTSC: 1 ~ 1/10,000s	
Digital Noise Reduction	3D DNR	
Wide Dynamic Range	Digital WDR	
Day & Night	IR Cut Filter	
Digital Zoom	16X	
Privacy Masking	8 privacy masks programmable, optional multiple colors and mosaics	
Focus Model	Auto / Semiautomatic / Manual	
<b>Lens</b>		
Focal Length	4 ~ 92mm, 23X	3.2 ~ 118.4mm, 37X
Zoom Speed	Approx 3.0s(Optical Wide-Tele)	
Angle of View	49 ~ 2.2 degree(Wide-Tele)	58~1.7 degree(Wide-Tele)
Min. Working Distance	10 ~ 1500mm (Wide-Tele)	
Aperture	F1.6 ~ F3.7	F1.6 ~ F4.4
<b>Pan and Tilt</b>		
Pan and Tilt Range	Pan: 360° endless; Tilt: -5°~90° (Auto Flip )	
Pan and Tilt Speed	Pan Manual Speed: 0.1°~250°/s, Pan Preset Speed: 300°/s Tilt Manual Speed: 0.1° ~ 150°/s, Tilt Preset Speed: 200°/s	
Proportional Zoom	Rotation speed can be adjusted automatically according to zoom multiples	
Number of Preset	256	
Patrol	10 patrols, up to 32 presets per patrol	
Pattern	5 patterns, with the total recording time not less than 15 minutes	
Power-off Memory	Support	
Park Action	Preset / Patrol / Pattern / Pan scan / Tilt scan / Frame Scan / Random scan / Panorama scan	
PTZ Position Display	Support	
Compass	Support , the north can be set	
Scheduled Task	Preset / Patrol / Pattern / Pan scan / Tilt scan / Frame Scan / Random scan / Panorama scan	
<b>Input/ Output</b>		
Video Output	1.0 V[p-p] / 75Ω, PAL / NTSC composite, BNC	
RS-485 Interface	Half-duplex mode, self-adaptive HIKVISION, Pelco-P, Pelco-D	
UTC function	Self-adaptive PELCO_C, HIKVISION_C	
<b>General</b>		
RS-485 Protocols	HIKVISION, Pelco-P, Pelco-D, self-adaptive	
Power	24VAC Outdoor dome: Max. 20W (Heater On), Max. 12W(Heater Off) Indoor dome: Max.12W	
Working Temperature	-A(outdoor model): -30°C ~ 65°C(-22°F ~ 149°F); -A3(indoor model): -10°C~50°C(14°F ~ 122°F)	
Humidity	90% or less	
Protection Level	IP66 (outdoor model) TVS 4,000V lightning protection, surge protection and voltage transient protection	
Impact Protection	-A(outdoor model): IEC60068-275Eh, 20J; EN50102, up to IK10 -A3(indoor model): IEC60068-275Eh, 10J; EN50102, up to IK09	
Dimensions	Φ220 × 305mm (Φ8.66" × 12.00") (Outdoor) Φ183.4 × 243mm(Φ7.22" × 9.56") (Ceiling) Φ245 × 236mm(Φ9.65" × 9.29") (In-ceiling)	
Weight	3Kg (6.61 lbs)	
Mount Option(for outdoor models)	Long-arm wall mount: DS-1602ZJ; Corner mount: DS-1602ZJ-corner; Pole Mount: DS-1602ZJ-pole; Power box mount:DS-1602ZJ-box;Swan-neck mount: DS-1619ZJ	