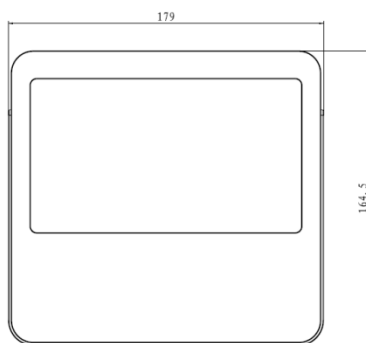


DS-KH6300-W/DS-KH6300

Indoor Station



AVAILABLE MODELS

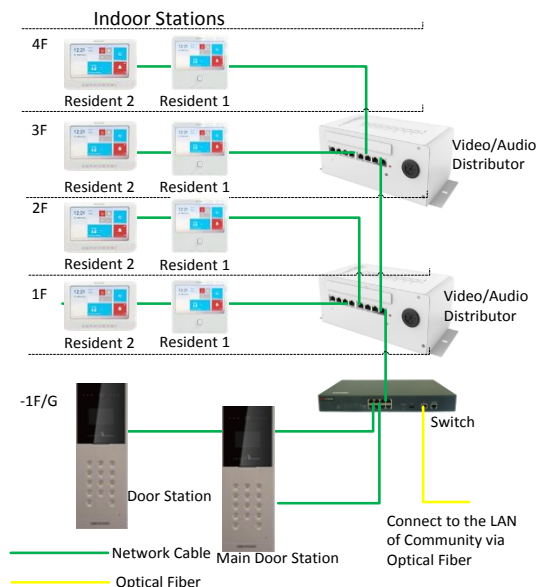
DS-KH6300-W

DS-KH6300

MAIN FEATURES

- Video intercom function
- Remote unlocking function;
- Resident-to-resident audio call
- Live view of HD video
- Voice message function
- Auto-respond and no disturbing mode
- Noise suppression and echo cancellation
- 8-ch zone alarm and SOS calling function
- Community notice
- Convenient installation with the bracket, batch setting, and power over video/audio distributor (DS-KAD606, DS-KAD612)

TYPICAL APPLICATION



SPECIFICATION

Model	DS-KH6300-W	DS-KH6300
Parameters	Video Intercom Indoor Station with 7-Inch Touch Screen	
System Parameters	Processor	High-Performance Embedded SOC Processor
	Operation System	Embedded Linux Operation System
Display Parameters	Display Screen	7-Inch Colorful TFT LCD
	Display Resolution	800 × 480
	Operation Method	Capacitive Touch Screen, Touch Key
	Operation Interface	Flattened UI Operation Interface
Audio Parameters	Audio Input	Built-in Omnidirectional Microphone
	Audio Output	Built-in Loudspeaker
	Audio Compression Standard	G.711 U
	Audio Compression Rate	64 Kbps
	Audio Quality	Noise Suppression and Echo Cancellation supported

Model	DS-KH6300-W	DS-KH6300
Parameters	Video Intercom Indoor Station with 7-Inch Touch Screen	
Network Parameters	Ethernet	10 M/100 M Self-Adaptive Ethernet
	Wireless Internet	Wi-Fi 802.11 b/g/n
	Network Protocol	TCP/IP, SNMP, SIP, RTSP
Alarm Parameters	Alarm Input	8-ch Alarm Input Sensor
Device Interfaces	Internet Access	1 RJ45; 10 M/100 M Self-Adaptive Ethernet Access
	RS485	1; RS-485 Half-Duplex
	I/O Output	1
Other Parameters	Power Supply	Power Over Network Cable (DS-KAD606, DS-KAD612)/12V DC
	Power Consumption	≤10 W
	Working Temperature	-10° C to + 55° C (14° F to 131° F)
	Working Humidity	10% - 90%
	Dimension (L x W x H)	179 mm × 164.5 mm × 10.8 mm
	Certification	FCC, CE