

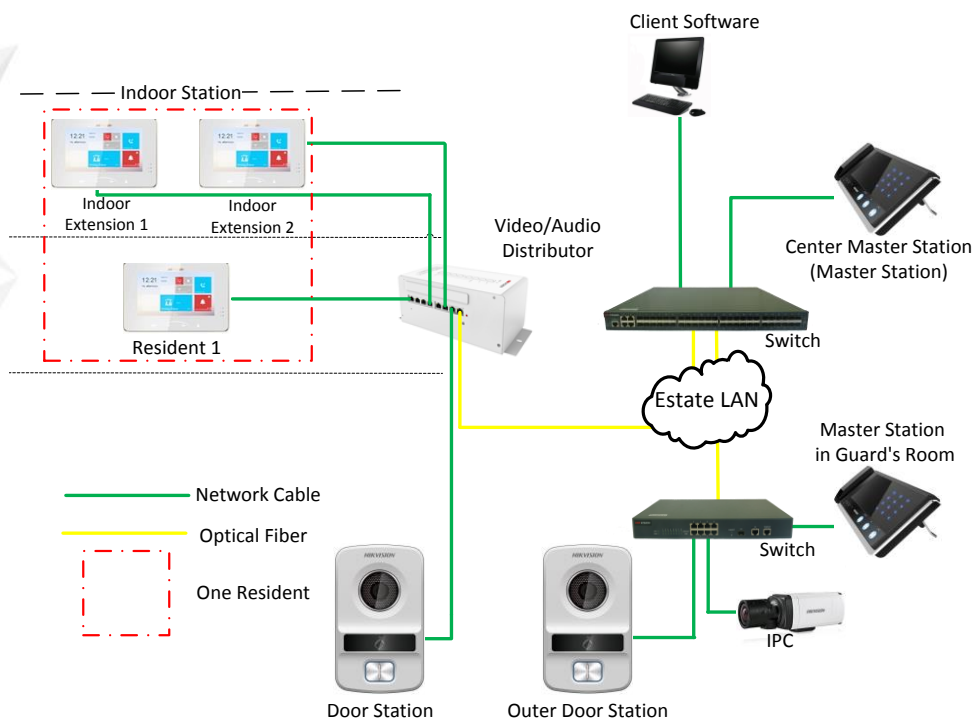
## DS-KV8102-IP/VP Plastic Villa Door Station

### Key Features

- Video intercom function
- HD video surveillance  
(Max. resolution 1280 x 720 @ 25 fps, WDR 120° wide angle)
- Self-adaptive light supplement
- Access control function
- Issues cards via local station function  
(This function will be invalid if the card has been activated via iVMS-4200.)
- Auto-uploads captured pictures to FTP or the client while unlocking the door
- Door magnetic alarm and tamper alarm function
- Noise suppression and echo cancellation
- Remote upgrade, and batch configuration functions



### Typical Application



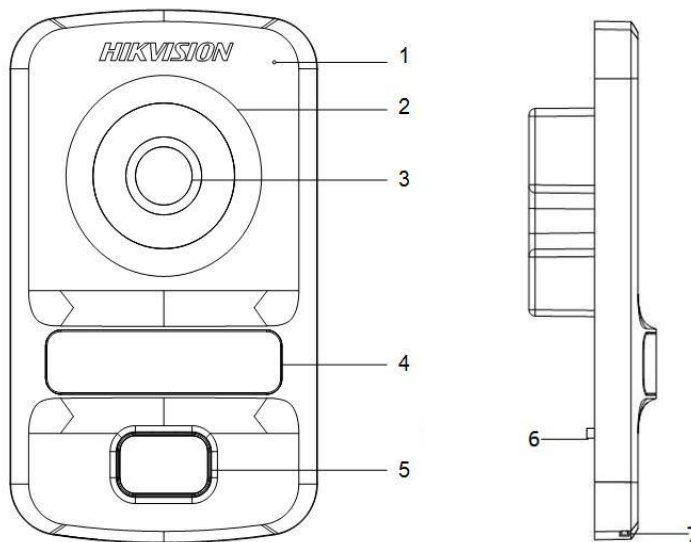
## Specifications

Model	DS-KV8102-IP		DS-KV8102-VP	
<b>System parameters</b>	<b>Processor</b>	High-Performance Embedded SOC Processor		
	<b>Operation system</b>	Embedded Linux Operation System		
<b>Video parameters</b>	<b>Camera</b>	CMOS Low Illumination 1.3 MP HD Colorful Camera		
	<b>Video compression standard</b>	H.264		
	<b>Resolution</b>	1280 × 720		
	<b>Video frame rate</b>	25 fps		
<b>Audio parameters</b>	<b>Audio input</b>	Built-in Omnidirectional Microphone		
	<b>Audio output</b>	Built-in Loudspeaker		
	<b>Audio compression standard</b>	G.711 U		
	<b>Audio compression rate</b>	64 Kbps		
	<b>Audio quality</b>	Noise Suppression and Echo Cancellation		
<b>Access control parameters</b>	<b>Internal card reader</b>	Built-in IC Card Reader		
	<b>Exit button</b>	Exit Button for Opening the Door		
	<b>NO/NC</b>	Support NO/NC Status Settings		
	<b>Door magnetic detection</b>	Detect Door Magnetic Status		
<b>Light supplement</b>	<b>Light supplement mode</b>	IR Supplement	Visible Light Supplement	
<b>Network parameters</b>	<b>Ethernet</b>	10/100 Mbps Self-Adaptive Ethernet		
	<b>Network protocol</b>	TCP/IP, SNMP, SIP, RTSP		
<b>Alarm parameters</b>	<b>Alarm input</b>	Door Magnetic Alarm, Tamper Alarm		
<b>Device interfaces</b>	<b>Network interface</b>	1 RJ-45 10/100 Mbps Self-Adaptive Ethernet Interface		
	<b>RS-485</b>	1 RS-485 Half-Duplex Port		
	<b>I/O input</b>	4		
	<b>I/O output</b>	1		
	<b>Material</b>	Plastic		
	<b>Power supply</b>	24 VDC, Power Over Network Cable (DS-KAD606, DS-KAD612)		
		12 VDC		
	<b>Power consumption</b>	≤12 W		
	<b>Working temperature</b>	-40° C to +70° C (-40° F to 158° F)		
	<b>Working humidity</b>	10% to 90%		
	<b>IP protection level</b>	IP65		
	<b>Dimensions (L × W × H)</b>	164 mm × 97 mm × 54.4 mm (6.46" × 3.82" × 2.14")		
<b>Certification</b>	FCC, IC, CE, C-TICK, ROHS, REACH, WEEE			

## Available Models

DS-KV8102-IP, DS-KV8102-VP

## Appearance and Interfaces



Index	Description	Index	Description
1	Microphone	5	Calling Button
2	Low Illumination Supplement Light	6	TAMPER
3	Built-in Camera	7	Loudspeaker
4	Card Induction Area		

Distributed by



### Headquarters

No.555 Qianmo Road, Binjiang District,  
Hangzhou 310051, China  
T +86-571-8807-5998  
overseasbusiness@hikvision.com

**Hikvision USA**  
T +1-909-895-0400  
sales.usa@hikvision.com

**Hikvision Italy**  
T +39-0438-6902  
info.it@hikvision.com

**Hikvision Singapore**  
T +65-6684-4718  
sg@hikvision.com

**Hikvision Europe**  
T +31-23-5542770  
saleseuro@hikvision.com

**Hikvision France**  
T +33(0)1-85-330-444  
info.fr@hikvision.com

**Hikvision Oceania**  
T +61-2-8599-4233  
salesau@hikvision.com

**Hikvision Middle East**  
T +971-4-8816086  
salesme@hikvision.com

**Hikvision Spain**  
T +34-91-737-16-55  
info.es@hikvision.com

**Hikvision Hong Kong**  
T +852-2151-1761

**Hikvision Russia**  
T +7-495-669-67-99  
saleru@hikvision.com

**Hikvision Poland**  
T +48-22-460-01-50  
poland@hikvision.com

**Hikvision Canada**  
T +1-909-895-0400  
sales.usa@hikvision.com

**Hikvision India**  
T +91-22-28469900  
sales@pramahikvision.com

**Hikvision UK**  
T +44-1628-9021-4  
support.uk@hikvision.com