



# FD8382-TV/ETV



# FD8382-VF2/EVF2

## Fixed Dome Network Camera



5MP · 30M IR · WDR Enhanced · 3DNR · P-iris · Remote Focus · IP66 · IK10 · Smart Stream · Smart IR · Video Rotation · Extreme Weather · Defog

VIVOTEK's FD8382 is a series of economical but professional outdoor fixed dome network cameras. They join the ranks of VIVOTEK's 5MP Lite series which offer up to 15 fps at 5-Megapixel or 30 fps at 1080p resolution at a competitive price. To create the perfect focus required to reap the benefits of higher resolutions, VIVOTEK's FD8382 series provides the options of both fixed focus, used for simple operation without additional power, and remote focus with built-in stepping motors and P-iris for precise adjustment remotely.

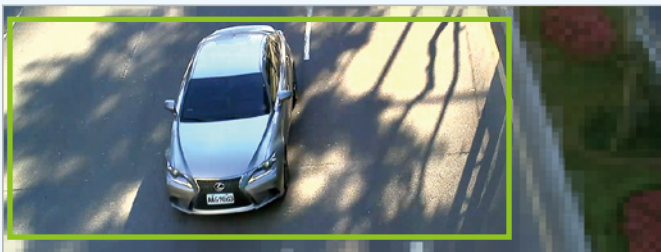
Designed to provide higher resolution, the FD8382 series is an ideal solution for those who demand sharper images with more details. With powerful 3D Noise Reduction technology and Smart Stream technology, the FD8382 series can also optimize resolution for a desired object or area to maximize the efficiency of bandwidth usage.

To ensure higher resolution even in outdoor and harsh environments, VIVOTEK's FD8382 series is also armed with IP66-rated housing to help the camera body withstand rain, dust and even high pressure water jets from any direction, while its IK10-rated housing provides protection against acts of vandalism or other impacts. Additionally, a wide operating temperature range further improves the FD8382-EVF2 and the FD8382-ETV's performance and reliability in extremely cold or warm weather, even when using PoE.

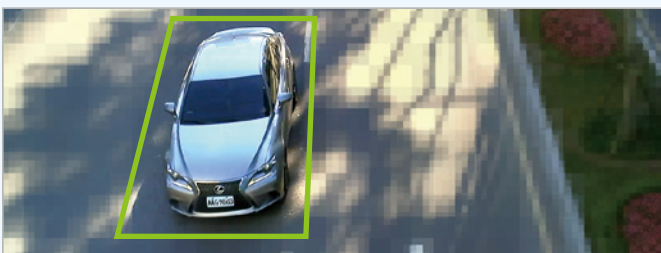
With the highly flexible VADP (VIVOTEK Application Development Platform), users can extend the features of this series by adding third-party applications for the FD8382-VF2, FD8382-EVF2, FD8382-TV, and FD8382-ETV. Thus, the FD8382 series is not only equipped with multiple focusing methods and wide temperature range options, but is also highly flexible and able to be expanded to meet a wide range of requirements.

## Key Features

- 5-Megapixel CMOS Sensor
- 15 fps @ 2560x1920
- 3 ~ 9 mm, Vari-focal, Remote Focus, P-iris Lens (FD8382-TV/ETV)
- Built-in IR Illuminators, Effective up to 30 Meters
- WDR Enhanced for Unparalleled Visibility in Bright and Dark Environments
- Smart Stream to Optimize Bandwidth Efficiency
- 3D Noise Reduction
- Two-way Audio
- Video Rotation for Corridor View
- Weather-proof IP66-rated and Vandal-proof IK10-rated Housing
- Support Installation with AM-713 Outdoor Conduit Box
- Extreme Weather Support with PoE (FD8382-EVF2/ETV)
- VIVOTEK VCA (Video Content Analysis) Support



Smart Stream - Manual Mode



Smart Stream - Auto Mode



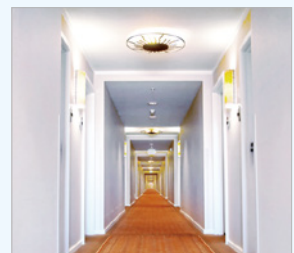
Low Light



Parking Lot



Train Station



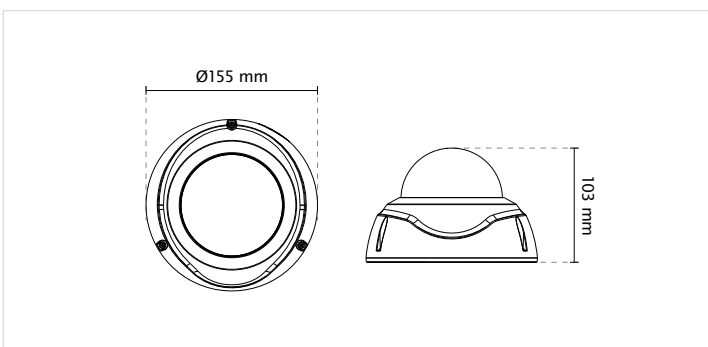
Hotel

## Technical Specifications

|                                      |   |
|--------------------------------------|---|
| <b>Model</b>                         | FD8382-TV: Vari-focal, P-iris, Remote Focus<br>FD8382-ETV: Vari-focal, P-iris, Remote Focus, Extreme Weather<br>FD8382-VF2: Fixed-focal<br>FD8382-EVF2: Fixed-focal, Extreme Weather  |
| <b>System Information</b>            |   |
| <b>CPU</b>                           | Multimedia SoC (System-on-Chip)   |
| <b>Flash</b>                         | 1Gb   |
| <b>RAM</b>                           | 4Gb   |
| <b>Camera Features</b>               |   |
| <b>Image Sensor</b>                  | 1/3.2" Progressive CMOS   |
| <b>Maximum Resolution</b>            | 2560x1920 (5MP)   |
| <b>Lens Type</b>                     | FD8382-TV/FD8382-ETV: Vari-focal<br>FD8382-VF2/FD8382-EVF2: Fixed-focal   |
| <b>Focal Length</b>                  | FD8382-TV/FD8382-ETV: f = 3 ~ 9 mm<br>FD8382-VF2/FD8382-EVF2: f = 2.8 mm  |
| <b>Aperture</b>                      | FD8382-TV/FD8382-ETV: F1.2 ~ F2.3<br>FD8382-VF2/FD8382-EVF2: F1.8   |
| <b>Auto-iris</b>                     | P-iris (FD8382-TV/FD8382-ETV)   |
| <b>Field of View</b>                 | FD8382-TV/FD8382-ETV:<br>35° ~ 78° (Horizontal)<br>27° ~ 54° (Vertical)<br>44° ~ 101° (Diagonal)<br>FD8382-VF2/FD8382-EVF2:<br>90° (Horizontal)<br>67° (Vertical)<br>118° (Diagonal)  |
| <b>Shutter Time</b>                  | 1/5 sec. to 1/32,000 sec.   |
| <b>WDR Technology</b>                | WDR Enhanced  |
| <b>Day/Night</b>                     | Removable IR-cut filter for day & night function  |
| <b>Minimum Illumination</b>          | FD8382-TV/FD8382-ETV:<br>0.04 Lux @ F1.2 (Color)<br>0.001 Lux @ F1.2 (B/W)<br>FD8382-VF2/FD8382-EVF2:<br>0.39 Lux @ F1.8 (Color)<br>0.001 Lux @ F1.8 (B/W)  |
| <b>Pan/tilt/zoom Functionalities</b> | ePTZ:<br>48x digital zoom (4x on IE plug-in, 12x built in)  |
| <b>IR Illuminators</b>               | Built-in IR illuminators, effective up to 30 meters with Smart IR<br>IR LED*8   |
| <b>On-board Storage</b>              | Slot type: Micro SD/SDHC/SDXC card slot<br>Seamless Recording   |
| <b>Video</b>                         |   |
| <b>Compression</b>                   | H.264 & MJPEG   |
| <b>Maximum Frame Rate</b>            | 15 fps @ 2560x1920<br>15 fps @ 2048x1536<br>30 fps @ 1920x1080<br>In both compression modes   |
| <b>Maximum Streams</b>               | 4 simultaneous streams  |
| <b>S/N Ratio</b>                     | 67 dB   |
| <b>Dynamic Range</b>                 | 70 dB   |
| <b>Video Streaming</b>               | Adjustable resolution, quality and bitrate; Smart Stream  |
| <b>Image Settings</b>                | Adjustable image size, quality and bit rate, Time stamp, text overlay, flip & mirror, Configurable brightness, contrast, saturation, sharpness, white balance, exposure control, gain, backlight compensation, privacy masks, Scheduled profile settings, 3D noise reduction, video rotation, defog |
| <b>Audio</b>                         |   |
| <b>Audio Capability</b>              | Two-way Audio (full duplex)   |
| <b>Compression</b>                   | G.711, G.726  |
| <b>Interface</b>                     | External microphone input<br>External line output   |
| <b>Network</b>                       |   |
| <b>Users</b>                         | Live viewing for up to 10 clients   |
| <b>Protocols</b>                     | IPv4, IPv6, TCP/IP, HTTP, HTTPS, UPnP, RTSP/RTP/RTCP, IGMP, SMTP, FTP, DHCP, NTP, DNS, DDNS, PPPoE, CoS, QoS, SNMP, 802.1X, UDP, ICMP, ARP, SSL, TLS  |
| <b>Interface</b>                     | 10 Base-T/100 BaseTX Ethernet (RJ-45)<br>*It is highly recommended to use standard CAT5e & CAT6 cables which are compliant with the 3P/ETL standard.  |
| <b>ONVIF</b>                         | Supported, specification available at <a href="http://www.onvif.org">www.onvif.org</a>  |
| <b>Intelligent Video</b>             |   |

|                               |  |
|-------------------------------|--|
| <b>Video Motion Detection</b> | Five-window video motion detection   |
| <b>VCA</b>                    | Line crossing detection, field detection, loitering detection<br>*Available per project request.   |
| <b>Alarm and Event</b>        |  |
| <b>Alarm Triggers</b>         | Motion detection, manual trigger, digital input, periodical trigger, system boot, recording notification, camera tampering detection, audio detection  |
| <b>Alarm Events</b>           | Event notification using digital output, HTTP, SMTP, FTP and NAS server, SD Card<br>File upload via HTTP, SMTP, FTP, NAS server and SD card  |
| <b>General</b>                |  |
| <b>Smart Focus System</b>     | FD8382-TV/FD8382-ETV: Remote Focus   |
| <b>Connectors</b>             | RJ-45 cable connector for Network/PoE connection<br>Audio input<br>Audio output<br>DC 12V power input<br>Digital input*1<br>Digital output*1   |
| <b>LED Indicator</b>          | System power and status indicator  |
| <b>Power Input</b>            | DC 12V<br>FD8382-TV/VF2: IEEE 802.3af/at PoE Class 0<br>FD8382-ETV/EVF2: IEEE 802.3at PoE Class 4  |
| <b>Power Consumption</b>      | FD8382-TV: Max. 9.5 W<br>FD8382-ETV: Max. 25 W (Heater on)<br>FD8382-VF2: Max. 9 W<br>FD8382-EVF2: Max. 25 W (Heater on)   |
| <b>Dimensions</b>             | Ø 155 x 103 mm   |
| <b>Weight</b>                 | 920 g  |
| <b>Casing</b>                 | Weather-proof IP66-rated housing<br>Vandal-proof IK10-rated metal housing  |
| <b>Safety Certifications</b>  | FD8382-TV/FD8382-ETV:<br>CE, LVD, FCC Class A, VCCI, C-Tick, UL<br>FD8382-VF2/FD8382-EVF2:<br>CE, LVD, FCC Class A, VCCI, C-Tick   |
| <b>Operating Temperature</b>  | FD8382-VF2/FD8382-TV:<br>Starting Temperature: -10°C ~ 50°C (14°F ~ 122°F)<br>Working Temperature: -20°C ~ 50°C (-4°F ~ 122°F)<br>FD8382-EVF2/FD8382-ETV:<br>Starting Temperature: -40°C ~ 50°C (-40°F ~ 122°F)<br>Working Temperature: -50°C ~ 50°C (-58°F ~ 122°F) |
| <b>Warranty</b>               | 36 months (FD8382-TV/FD8382-ETV)<br>24 months (FD8382-VF2/FD8382-EVF2)   |
| <b>System Requirements</b>    |  |
| <b>Operating System</b>       | Microsoft Windows 7/8/Vista/XP/2000  |
| <b>Web Browser</b>            | Mozilla Firefox 7~43 (streaming only)<br>Internet Explorer 7/8/9/10/11   |
| <b>Other Players</b>          | VLC: 1.1.11 or above<br>Quicktime: 7 or above  |
| <b>Included Accessories</b>   |  |
| <b>CD</b>                     | User's manual, quick installation guide, Installation Wizard 2   |
| <b>Others</b>                 | Quick installation guide, warranty card, alignment sticker/<br>desiccant bag, screw pack   |

## Dimensions



## Compatible Accessories

### Mounting Kits



**AM-51C (v01)**  
Adapter Ring



**AM-525 (v01)**  
Mounting Adapter



**AM-713**  
Conduit Box

### PoE Kits



**AP-FXC-0251**  
PoE Extender with  
Conduit Box