

DS-2CD6520ET-IO

2MP 1/3" CMOS ICR Waterproof Mobile IPC



DS-2CD6520ET-IO is designed high resolution camera for bus, train or enforcement vehicle that with high vibration and low illumination, key features including:

- Up to 1920×1080 @ 30 fps for real-time output
- ROI and SVC are adopted with high compression ratio, flexible disposal and low bitrate
- Progressive scan CMOS with smooth and fluent capture for moving object
- PoE power supply is supportable
- IR cut filter with auto switch for day & night surveillance
- Efficient infrared array light, low power consumption, irradiating distance reaching up to 30m
- 3D digital noise reduction
- Two streams; mobile phone viewing is supportable
- Rotate mode, BLC, DWDR and auto electric shutter for different environment
- Three-axis adjustment for convenient installation
- IP68 level waterproof and dustproof with high reliability
- Function: Heartbeat, mirror, one-key reset, etc.
- Heater for demisting
- Vandal proof: IK10, IP68
- Professional certifications: EN 50155, EN 50121



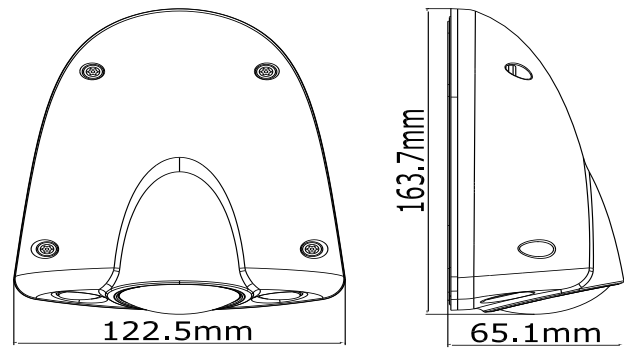
DS-2CD6520ET-IO

2MP 1/3" CMOS ICR Waterproof Mobile IPC

Specification

Camera	
Image Sensor	1/3" Progressive Scan CMOS
Min. Illumination	0.01Lux @(F1.2,AGC ON) ,0 Lux with IR 0.028Lux @(F2.0,AGC ON) ,0 Lux with IR
Shutter Speed	1/3 s to 1/100,000 s
Lens	6mm@F2.0 Angle of view: 46°
Lens Mount	M12
Day &Night	IR cut filter with auto switch
DNR	3D Digital Noise Reduction
Angle adjustment of	Pan: -15°-15°, Tilt: 0~30°, Rotation: -90°-90°
WDR	Digital WDR
Compression Standard	
Video Compression	H.264 /MJPEG
H.264 Type	Baseline Profile / Main Profile / High Profile
Video Bit Rate	32 Kbps – 8Mbps
Image	
Max. Resolution	1920 × 1080
Frame Rate	50Hz: 25fps (1920 × 1080,1280 × 960,1280 × 720); 60Hz: 30fps (1920 × 1080,1280 × 960,1280 × 720)
Image Setting	Rotate mode, Saturation, Brightness, Contrast and sharpness are adjustable by client software or web browser
Backlight	Yes, zone optional
ROI	Support
Network	
Network Storage	NAS (Support NFS,SMB/CIFS)
Alarm Trigger	Motion detection, Dynamic Analysis, Tampering alarm, Network disconnect, IP address conflict
Protocols	TCP/IP,ICMP,HTTP,HTTPS,FTP,DHCP,DNS,DDNS,RTP,RTSP,RTCP, PPPoE,NTP,UPnP,SMTP,SNMP,IGMP,802.1X,QoS,IPv6,Bonjour
Standard	ONVIF,PSIA,CGI,ISAPI
General function	Flash-prevention, dual stream, heartbeat, mirror, password protection, video cover, watermark
Interface	
Communication	1 RJ45 10M/100M Ethernet interface
Video Output	1Vp-p composite output (75 Ω/BNC)
General	
Operating Conditions	-40 °C – 70 °C Humidity 95% or less (non-condensing)
Power Supply	DC12V±10% / PoE(802.3af)
Power	9W MAX
IR Range	30 m
Ingress Protection	IP68

Dimensions



Impact Protection	Ik10
Dimensions (mm)	163.7 × 122.5 × 65.1
Weight	900 g (1.98 lbs)

Order Model:

DS-2CD6520ET-IO: RJ45 Ethernet port and ϕ 5.5mm power connector