

DS-2DP0818Z-D

PanoVu series 8MP 180° Panoramic+PTZ Camera



Hikvision PanoVu series DS-2DP0818Z-D panoramic + PTZ cameras, with its integration design, are able to capture panoramic images as well as close-up images to give consideration to both panorama and details. The panoramic images are captured by four sensors, which could realize 180°panorama monitoring. The design of integration model and high speed PTZ offers the function of fast detail positioning over panoramic area.

Furthermore, with its advanced video analysis and multiple targets tracking algorithm, PanoVu cameras also feature a wide range of smart functions for multiple targets within the panoramic view filed, including intrusion detection, line crossing detection, region entrance detection, region exiting detection. The cameras could also output alarm signals to linkage the PTZ for tracking, benefitting users with great improvement on security efficiency.

- 1/1.8" Progressive Scan CMOS
- Up to 4096 × 1800 @30fps
- Ultra-low illumination
- 180° View Angle
- 36X optical zoom, 16X digital zoom
- WDR
- Multiple targets tracking
- 36VDC power supply
- IP66



Function Description

Panoramic Camera

- 4 1/1.8" Progressive Scan CMOS, up to 4096 × 1800 resolution @30fps
- Horizontal angle of view: 180°, Vertical angle of view:80°
- Min. Illumination: 0.005Lux@(F2.2,AGC ON)(Color), 0.0005Lux@(F2.2,AGC ON)(B/W)

Tracking Camera

- 1/1.9" Progressive Scan CMOS, up to 1920 × 1080 resolution @30fps
- Min. Illumination: 0.002Lux@(F1.5,AGC ON)(Color), 0.0002Lux@(F1.5,AGC ON)(B/W)
- 36X optical zoom, 16X digital zoom
- 360° endless pan range and -15°~ 90° tilt range
- 540°/s Pan Preset Speed and 400°/s Tilt Preset Speed
- 0.1°~ 300°/s Manual Pan Speed and 0.1°~ 240°/s Manual Tilt Speed
- 300 presets programmable; preset image freezing capability
- 8 patrols, up to 32 presets per patrol
- Power-off memory: restore PTZ & Lens status after reboot

Basic function

- H.264/MJPEG video compression
- H.264 encoding with Baseline/Main/High profile
- Onboard storage, up to 128GB
- Multiple network protocols supported: IPv4/Ipv6, HTTP, HTTPS, 802.1X, QoS, FTP, SMTP, UPnP, SNMP, DNS, DDNS, NTP, RTSP, RTP, TCP, UDP, IGMP, ICMP, DHCP, PPPoE
- 1 audio input and 1 audio output
- IP66 standard

System function

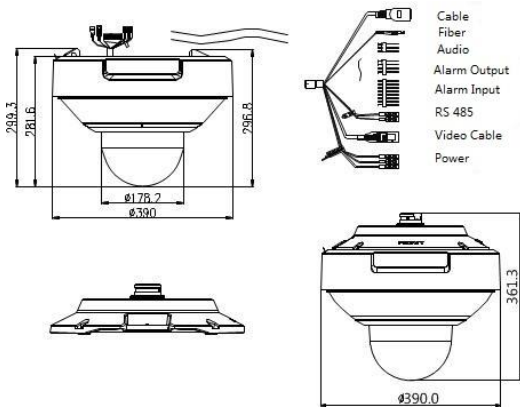
- Smart detection: support intrusion detection, line crossing detection, region entrance detection, and region exiting detection.
- Support detecting moving targets in a semicircular range in 300 m diameter. Up to 30 targets can be detected at the same time.
- Support one-touch link. By clicking the client or choosing region at any position on the panoramic image, the tracking camera will automatically adjust to place the region at the center of the image.
- Support automatic target tracking function. By setting the rules of smart events, the cameras will steadily tracking moving targets which triggers event in the setting time.
- Support manually choosing tracking targets and steadily tracking in the setting time.
- Support multiple target automatically switch tracking, switching time less than 1s.
- Smart image processing: support WDR, HLC, Defog.
- Support ONVIF(Open Network Video Interface Forum), CGI(Common Gateway Interface), PSIA(Physical Security Interoperability Alliance), to ensure greater interoperability between different platforms and compatibility.
- 7 alarm input and 2 alarm output.
- Optional fiber cable and RJ-45 cable.

Specifications

System Function	
One-touch Link	Support
Tracking mode	Manual/ Auto/ Mix
Number of Targets	Up to 30 targets can be detected at the same time
Multiple Targets Tracking	Support
Target switch time	<1s
Demarcate	Manual/ Auto
Smart Detection	Intrusion detection, Line crossing detection, Region entrance detection, Region exiting detection
Tracking Time	Support
Sensitivity	Support
Panoramic Camera	
Image Sensor	1/1.8" Progressive Scan CMOS
Max. Image Resolution	4096 × 1800
Min. Illumination	Color: 0.005 Lux @ (F2.2, AGC ON), B/W: 0.0005Lux @ (F2.2, AGC ON)
Lens	f5.0mm/ F2.2
Angle of View	Horizontal angle of view: 180°, Vertical angle of view: 80°
Main Stream	50Hz: 25fps (4096 × 1800, 3840 × 1680, 2720×1192); 60Hz: 30fps (4096 × 1800, 3840 × 1680, 2720×1192)
Sub Stream	50Hz:25fps(704 × 320) 60Hz:30fps(704 × 320)
Third Stream	50Hz:25fps(1280 × 560); 60Hz:30fps(1280 × 560)
Image Compression	H.264(Baseline, Main, High Profile)/MJPEG
Others	WDR, HLC, 3D DNR
Tracking PTZ Camera	
Image Sensor	1/1.9" Progressive Scan CMOS
Max. Image Resolution	1920 × 1080
Min. Illumination	Color: 0.002 Lux @ (F1.5, AGC ON), B/W: 0.0002Lux @ (F1.5, AGC ON)
Focal Length	5.7 - 205.2mm, 36X
Zoom Speed	Approx.6.6s (Optical Wide-Tele)
Angle of View	58.7° - 2.0° (Wide-Tele)
Min. Working Distance	10-1500mm(Wide-Tele)
White Balance	Auto / Manual /ATW/Indoor/Outdoor/Daylight lamp/Sodium lamp
Day & Night	IR Cut Filter
Privacy Mask	24 privacy masks programmable; optional multiple colors and mosaics
Optical Defog	Support
ROI encoding	Support 24 areas with adjustable levels
Main Stream	50Hz: 25fps (1920 × 1080, 1280 × 960, 1280 × 720) 60Hz: 30fps (1920 × 1080, 1280 × 960, 1280 × 720)
Sub Stream	50Hz:25fps (704×576, 352×288, 176×144) 60Hz:30fps (704×480, 352×240, 176×120)
Third Stream	50Hz:25fps(1920×1080, 1280×960, 1280×720, 704×576, 352×288, 176×144) 60Hz:30fps(1920×1080, 1280×960, 1280×720, 704×480, 352×240, 176×120)
Image Compression	H.264(Baseline, Main, High Profile)/MJPEG/MPEG4
Others	Ture WDR, HLC, 3D DNR, EIS

Pan and Tilt (Tracking PTZ Camera)	
Range	Pan: 360° endless; Tilt: -15°~ 90° (Auto flip)
Speed	Pan Manual Speed: 0.1°~300°/s, Pan Preset Speed: 540°/s Tilt Manual Speed: 0.1°~240°/s, Tilt Preset Speed: 400°/s
Number of Preset	300
Patrol	8 patrols, up to 32 presets per patrol
Pattern	4 patterns, with the recording time not less than 10 minutes per pattern
Park Action	Preset / Patrol / Pattern / Auto scan / Tilt scan / Random scan / Frame scan / Panorama scan
Scheduled Task	Preset / Patrol / Pattern / Auto scan / Tilt scan / Random scan / Frame scan / Panorama scan/Dome reboot/Dome adjust/Aux output
Power-off memory	Support
Alarm	
Alarm I/O	7/2
Alarm Trigger	Face detection, Audio exception detection, Motion detection, Dynamic analysis, Tampering alarm, Network disconnect, IP address conflict, Storage exception
Alarm Action	Preset / Patrol / Pattern / SD card recording/ Aux output/ E-map on Client/ Send Email/ Upload to FTP
Input /Output	
Audio Input	1 Mic in/Line in interface, line input: 2-2.4V[p-p]; output impedance: 1KΩ, ±10%
Audio Output	1 Audio output interface, line level, impedance: 600Ω
Network	
Audio compression	G.711ulaw/G.711alaw/G.722/G.726/MP2L2/PCM
Protocols	IPv4/IPv6,HTTP,HTTPS,802.1x,Qos,FTP,SMTP,UPnP,SNMP,DNS,DDNS,NTP,RTSP,RTP,TCP,UDP,IGMP,ICMP, DHCP, PPPoE
Application programming	Open-ended API, support Onvif, ISAPI, CGI
System Integration	
Menu	English
User/Host Level	Up to 32 users,3 Levels: Administrator, Operator and User
Security Measures	User authentication (ID and PW); Host authentication (MAC address); IP address filtering
Web Browser	IE 7+, Chrome 18 +, Firefox 5.0 +, Safari 5.02 +, support multi-language
Simultaneous Live View	Up to 20 users
Fiber Cable	1 10M/100M/1000M FC interface, TX1310 / RX1550nm wavelength, 20 km transmission distance
Ethernet	1 RJ45 100M/1000M Ethernet interface
RS485	Half duplex, HIKVISION, Pelco-P, Pelco-D, self-adaptive
Onboard Storage	Built-in Micro SD/SDHC/SDXC card slot, up to 128GB, manual/alarm recording
General	
Power	DC 36V, MAX. 70W (Heater 22W)
Working Temperature/ Humidity	-40 °C – 65 °C, Humidity 90% or less
Protection Level	IP66 standard, TVS 6,000V lightning protection, surge protection and voltage transient protection
Dimensions(mm)	Φ 390(mm)×361.3(mm)
Weight	20kg (approx.)
Mount Option	Wall mount: DS-1603ZJ; Pendant mount: DS-1668ZJ (20); Pendant Mount: DS-1668ZJ

Dimensions



Accessories



DS-1603ZJ
Wall Mount



DS-1668ZJ
Pendant Mount



DS-1668ZJ (20)
Pendant Mount

Distributed by



Headquarters

No.555 Qianmo Road, Binjiang District,
Hangzhou 310051, China
T +86-571-8807-5998
overseasbusiness@hikvision.com

Hikvision Poland

T +48-22-460-01-50
poland@hikvision.com

Hikvision USA

T +1-909-895-0400
sales.usa@hikvision.com

Hikvision India

T +91-22-28469900
sales@pramahikvision.com

Hikvision UK

T +44-1628-9021-4
support.uk@hikvision.com

Hikvision Europe

T +31-23-5542770
saleseuro@hikvision.com

Hikvision Italy

T +39-0438-6902
info.it@hikvision.com

Hikvision Singapore

T +65-6684-4718
sg@hikvision.com

Hikvision Middle East

T +971-4-8816086
salesme@hikvision.com

Hikvision France

T +33(0)1-85-330-444
info.fr@hikvision.com

Hikvision Oceania

T +61-2-8599-4233
salesau@hikvision.com

Hikvision Russia

T +7-495-669-67-99
saleru@hikvision.com

Hikvision Spain

T +34-91-737-16-55
info.es@hikvision.com

Hikvision Hong Kong

T +852-2151-1761