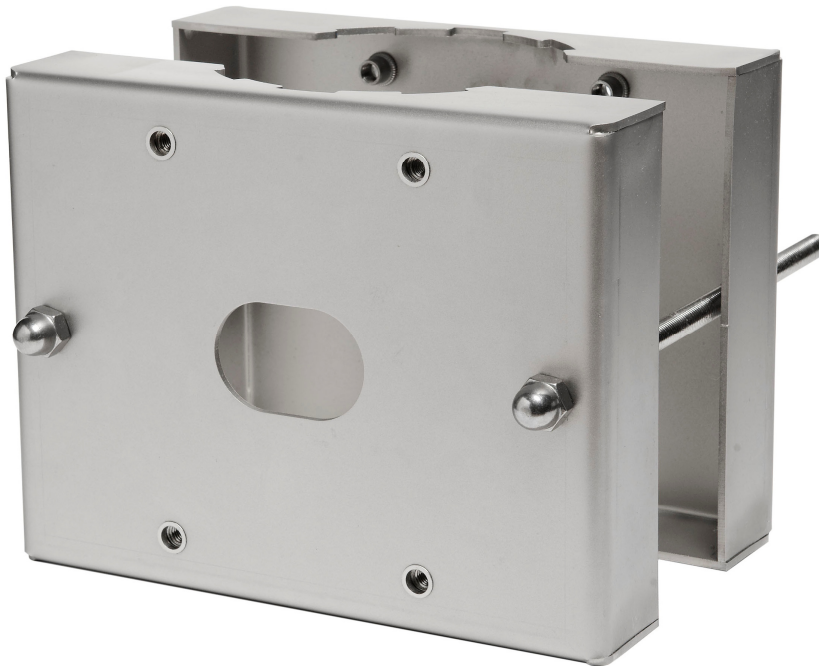
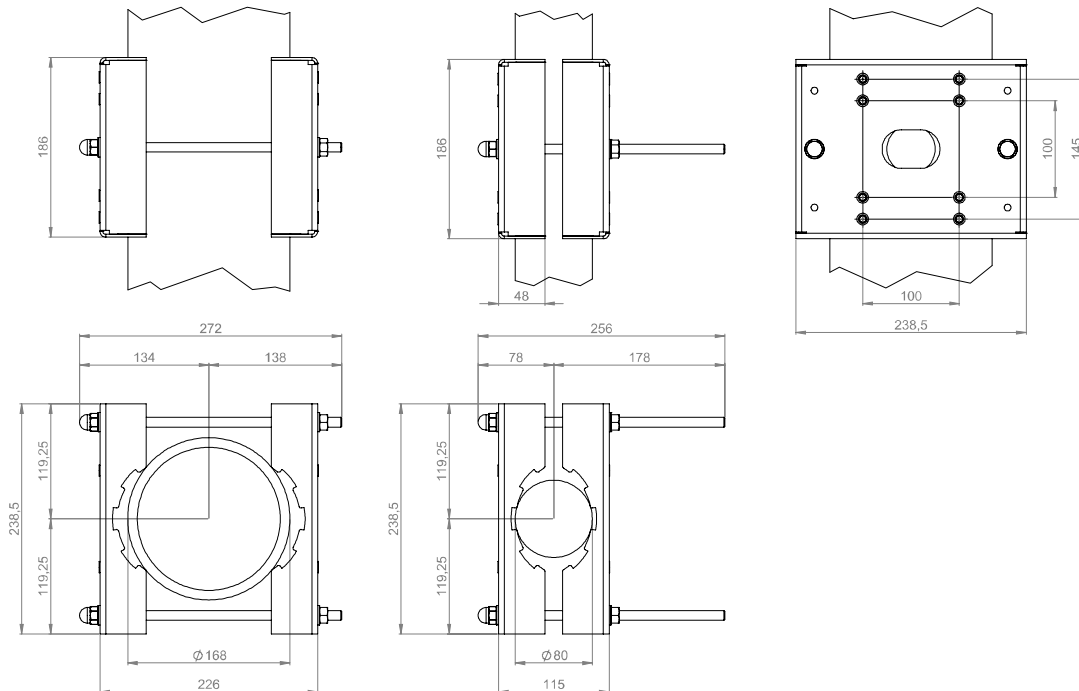


# PAX

## AISI 316L Stainless steel pole mount adapter



### Dimensions



Weight: 3,8 Kg

PAX is compatible with camera housings: CHX, CHXS, CHXC, CHXES, CHEP with BWXHX wall bracket. Or tanks with water pump: TAP (5 or 25 litres tank adapter plate is required)

Date \_\_\_\_\_ Company Name \_\_\_\_\_ Required Quantity \_\_\_\_\_

If you know the CHEP product code please write it here, and skip the rest of the questionnaire: \_\_\_\_\_

**ATEX products Questionnaire**

This questionnaire should help the customer to identify the suitable equipment to install.

The type of zone to be controlled is very important to define the characteristics of the product to be used. This is why a careful compilation is required. If the end user installs the product in a different area from the one indicated on the marking data plate, **the manufacturer is not responsible for the installation.**

• PLANT GROUP / CONSTRUCTION

- I (mines) Stainless Steel AISI 316L construction
- II (surface plants) Anticorodal Aluminium construction
- II (surface plants) Stainless Steel AISI 316L construction

• HEATER VOLTAGE

- 100/240 VAC
- 12/24 VAC/VDC

• POWER SUPPLY UNIT

- NO
- 400mA, 230Vac/12Vdc
- 400mA, 230Vac/24Vac
- Hi-PoE Splitter (IEEE 802.3at draft)

• WINDOW

- TEMPERED GLASS
- GERMANIUM FILTER + GRID

Camera \_\_\_\_\_ Lens \_\_\_\_\_

• PRODUCT GROUP FOR GAS PROTECTION (\*)*(Please answer this question only in case of surface plants application)*

- IIA Presence of Gas Propane
- IIB Presence of Gas Ethylene
- IIC Presence of Gas Acetylene or Hydrogen

\* The above gases are only examples for each group of product.

(Note that products of group IIC are protective also against gases of group IIA and/or IIB or different gases of these groups mixed together)

• CABLE TYPE

It is recommended to indicate the type of cable (armored or not armored) that will be used for installation and, if possible, to give the diameter of the cable in order to provide the proper sealing of the cable glands (the cable glands contain an interchangeable rubber gasket that, on request, can be given of the right size depending on the type of cable used).

- NOT ARMORED CABLE
- ARMORED CABLE

Cable Diameter [mm] \_\_\_\_\_

• CABLE GLANDS OPTIONS

- No.2 1/2" CABLE GLANDS (cable Ø 5,5÷13 mm)
- No.2 3/4" CABLE GLANDS (cable Ø 8÷18 mm)
- No.1 1/2 " CABLE GLANDS + No.1 1/2" CAP
- No.1 3/4 " CABLE GLANDS + No.1 3/4 " CAP

• ENVIRONMENTAL TEMPERATURE

- 20°C / +50°C
- 50°C / +50°C (NOT AVAILABLE WITH GERMANIUM FILTER OR HIPOE SPLITTER)

• SUNSHIELD

- YES
- NO

**IMPORTANT: THE TOTAL POWER ABSORBED BY THE VIDEO SURVEILLANCE EQUIPMENT INSTALLED IN THE CHEP EXPLOSIONPROOF CAMERA HOUSING MUST NOT EXCEED 20 W.**

**IF THE CAMERA HOUSING IS INCLUDING ANY POWER SUPPLY INSTALLED BY MANUFACTURER, THE VIDEO SURVEILLANCE EQUIPMENT INSTALLED BY THE END USER MUST NOT EXCEED 10 W.**