



Bullet Network Camera IP8371/71E



3MP • 1080p 60 fps • 30M IR • Smart IR • Smart Focus •
IP67 • Smart Stream • Low Light • Corridor View

VIVOTEK IP8371/71E are professional outdoor bullet network cameras offering 30 fps @ 3-Megapixel or 60 fps @ 1080p resolution with superb image quality.

Featuring 3D Noise Reduction Technology, it enables the IP8371/71E to capture clear, polished video under low-light conditions, which also helps to reduce bandwidth from sensor noise.

The IP8371/71E also feature Smart Stream Technology, which can be used to optimize resolution on a desired object or area to maximize bandwidth usage.

The IP8371/71E come with a P-iris lens, which controls the iris with extreme precision with its built-in stepper motor. By using software controls, the lens maintains the iris opening at an optimal level at all times, resulting in superior sharpness and depth of field as well as image quality. For installers, properly adjusting the focus of a megapixel network camera can be difficult due to the image detail. Thus, VIVOTEK has introduced the Smart Focus System to make installation and adjustment easier by allowing for remote focus and zoom adjustment.

The IP67-rated housing is designed to help the camera body withstand rain and dust and ensures operation under a multitude of harsh weather conditions. Additionally, the wide temperature range further enhances the IP8371E's performance and reliability in extremely cold and warm weather.

Features

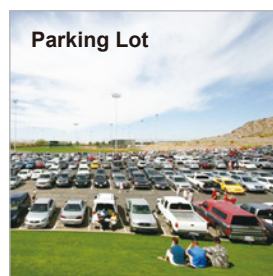
- 3-Megapixel CMOS Sensor
- 30 fps @ 2048x1536; 60 fps @ 1920x1080
- Motorized, P-iris Lens
- Smart IR Technology to Avoid Overexposure
- Built-in IR Illuminators, Effective up to 30 Meters
- Supreme Night Visibility
- Smart Stream
- 3D Noise Reduction
- Real-time H.264 and MJPEG Compression (Dual Codec)
- -50°C ~ 50°C Wide Temperature Range for Extreme Weather Conditions (IP8371E)
- Smart Focus System for Remote and Precise Focus Adjustment
- Two-way Audio
- Weather-proof IP67-rated Housing
- Built-in 802.3af Compliant PoE
- Built-in SD/SDHC/SDXC Card Slot for On-board Storage
- Mounting Bracket with Cable Management for Protected Installation
- Video Rotation for Corridor View



Casino



Traffic Monitoring



Parking Lot



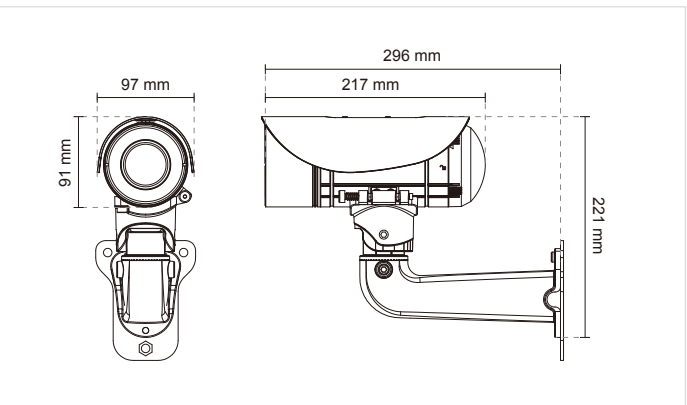
Train Station

Technical Specifications

| | |
|-------------------------------|--|
| Model | IP8371/IP8371E |
| System Information | |
| CPU | Multimedia SoC (System-on-Chip) |
| Flash | 256 MB |
| RAM | 512 MB |
| Camera Features | |
| Image Sensor | 1/2.8" Progressive CMOS |
| Maximum Resolution | 2048x1536 |
| Lens Type | Vari-focal, remote focus |
| Focal Length | f = 3 ~ 9 mm |
| Aperture | F1.2 (wide) ~ F2.3 (tele) |
| Auto-iris | P-iris |
| Field of View | 36° ~ 82° (horizontal) 27° ~ 62° (vertical) 44° ~ 107° (diagonal) |
| Shutter Time | 1/5 sec. to 1/8,000 sec. |
| WDR Technology | WDR Enhanced |
| Day/Night | Removable IR-cut filter for day & night function Smart IR Technology to avoid overexposure |
| Minimum Illumination | 0.1 Lux @ F1.2 (Color) 0.001 Lux @ F1.2 (B/W) |
| Pan/tilt/zoom Functionalities | ePTZ: 48x digital zoom (4x on IE plug-in, 12x built-in) |
| IR Illuminators | Built-in IR illuminators, effective up to 30 meters IR LED*4, with Smart IR Technology |
| On-board Storage | SD/SDHC/SDXC card slot |
| Video | |
| Compression | H.264, MJPEG |
| Maximum Frame Rate | H.264: 30 fps at 2048x1536 60 fps at 1920x1080 MJPEG: 30 fps at 2048x1536 60 fps at 1920x1080 |
| Maximum Streams | 4 simultaneous streams |
| S/N Ratio | Above 62 dB |
| Dynamic Range | 59 dB |
| Video Streaming | Adjustable resolution, quality and bitrate |
| Image Settings | Time stamp, text overlay, flip & mirror Configurable brightness, contrast, saturation, sharpness, white balance, exposure control, gain, backlight compensation, privacy masks, scheduled profile settings 3D noise reduction, smart stream, seamless recording, audio detection, video rotation |
| Audio | |
| Audio Capability | Audio input/output (full duplex) |
| Compression | AAC, G.711, G.726 |
| Interface | External microphone input External line output |
| Network | |
| Users | Live viewing for up to 10 clients |
| Protocols | IPv4, IPv6, TCP/IP, HTTP, HTTPS, UPnP, RTSP/RTP/RTCP, IGMP, SMTP, FTP, DHCP, NTP, DNS, DDNS, PPPoE, CoS, QoS, SNMP, 802.1X |
| Interface | 10Base-T/100BaseTX Ethernet (RJ-45) *It is highly recommended to use standard Cat. 5e & Cat. 6 cables which are compliant with the 3P/ETL standard. |
| ONVIF | Supported, specification available at www.onvif.org |
| Intelligent Video | |
| Video Motion Detection | Triple-window video motion detection |

| | |
|-----------------------------|--|
| Alarm and Event | |
| Alarm Triggers | Video motion detection, manual trigger, digital input, periodical trigger, system boot, recording notification, camera tampering detection |
| Alarm Events | Event notification using HTTP, SMTP, FTP and NAS server File upload via HTTP, SMTP, FTP and NAS server |
| General | |
| Smart Focus System | Remote focus & easy focus |
| Connectors | RJ-45 cable connector for Network/PoE connection Audio input Audio output AC 24V power input DC 12V power input Digital input*1 Digital output*1 Analog video output |
| LED Indicator | System power and status indicator |
| Power Input | DC 12V AC 24V IEEE 802.3af PoE Class 3 |
| Power Consumption | IP8371 DC: Max. 12 W AC: Max. 14.1 W PoE: Max. 11 W IP8371E DC: Max. 26 W (Heater on), 7.5 W (Heater off) AC: Max. 27 W (Heater on), 7.7 W (Heater off) PoE: Max. 11 W |
| Dimensions | Ø: 91 mm x 221 mm |
| Weight | Net: 1291.5 g (IP8371) Net: 1,335 g (IP8371E) |
| Casing | Weather-proof IP67-rated housing |
| Safety Certifications | CE, LVD, FCC Class A, VCCI, C-Tick, UL |
| Operating Temperature | IP8371: Starting Temperature: -10°C ~ 50°C (14°F ~ 122°F) Working Temperature: -20°C ~ 50°C (-4°F ~ 122°F) IP8371E: PoE Working Temperature: -10°C ~ 50°C (14°F ~ 122°F) Cold Startup Temperature: -10°C (14°F) DC12V/AC24V Working Temperature: -50°C ~ 50°C (-58°F ~ 122°F) Cold Startup Temperature: -40°C (-40°F) |
| Warranty | 24 months |
| System Requirements | |
| Operating System | Microsoft Windows 7/Vista/XP/2000 |
| Web Browser | Mozilla Firefox 7~10 (Streaming only) Internet Explorer 7.x or 8.x |
| Other Players | VLC: 1.1.11 or above QuickTime: 7 or above |
| Included Accessories | |
| CD | User's manual, quick installation guide, Installation Wizard 2, free ST7501 32-channel VMS |
| Others | Quick installation guide, warranty card, sun shield, wall mount bracket, waterproof RJ45 Ethernet enclosure, alignment sticker, desiccant bag, waterproof connector |

Dimensions



Compatible Accessories

Mounting Kits



AM-311
Pole Mount Adaptor



AM-411
Corner Mount Adaptor



AM-711
Junction Box

All specifications are subject to change without notice. Copyright © VIVOTEK INC. All rights reserved.

Distributed by:



VIVOTEK INC.
6F, No.192, Lien-Cheng Rd., Chung-Ho,
New Taipei City, 235, Taiwan, R.O.C.
T: +886-2-82455282 F: +886-2-82455532
E: sales@vivotek.com

VIVOTEK USA
2050 Ringwood Avenue,
San Jose, CA 95131
T: 408-773-8686 F: 408-773-8298
E: salesusa@vivotek.com

VIVOTEK Europe
Randstad 22-133, 1316BW Almere,
The Netherlands
T: +31(0)36-5298-434
E: saleseurope@vivotek.com

Ver 2.0