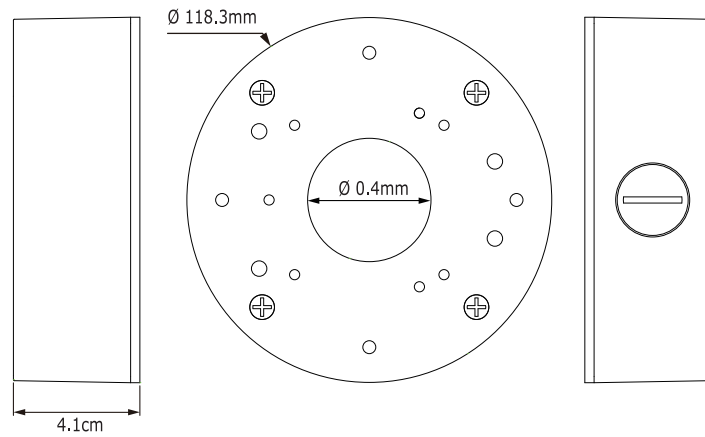


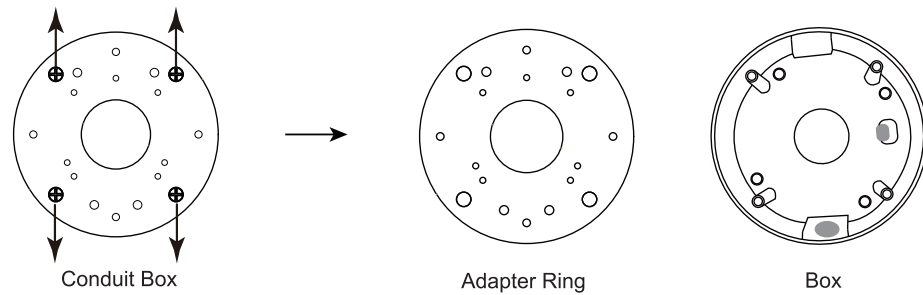
AVM552C-HBKT / AVM552C-HLKT

■ Dimensions

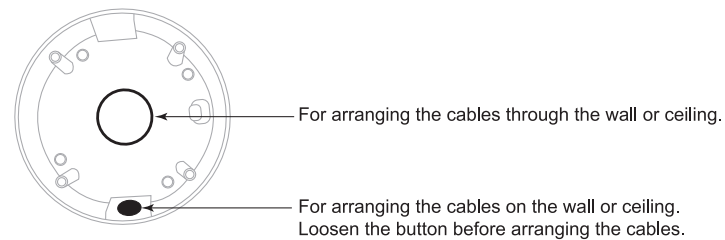


■ Installation

Step1: Remove the four screws on the top of the conduit box.



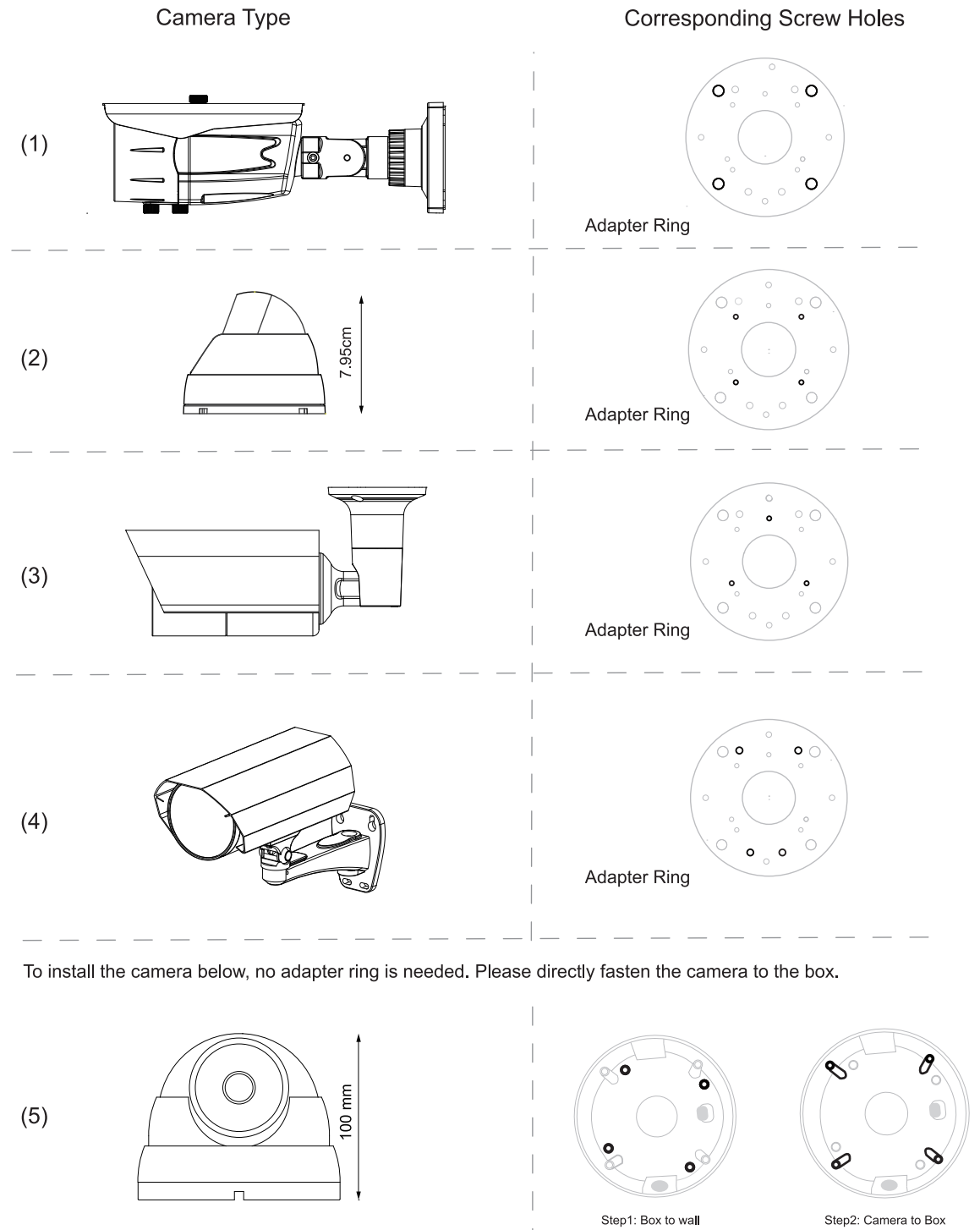
Step2: Arrange how the camera cables are routing.
Then, attach and secure the box to where the camera will be installed.



Step3: Check the section "**Camera Type and Corresponding Screw Holes**" to find your camera type and figure out which screw holes on the adapter ring should be used.

Step4: Attach and fasten the camera to the ring (when needed) and the box.

■ Camera Type and Corresponding Screw Holes



To install the camera below, no adapter ring is needed. Please directly fasten the camera to the box.